

# OWNER'S MANUAL



Where Unsung Heroes Make It Happen™

800.647.2737 [NationalFW.com](http://NationalFW.com)

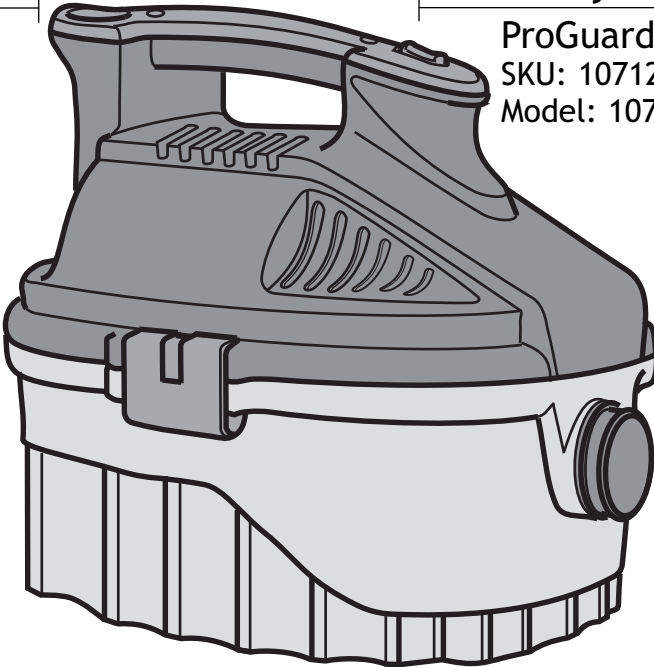
Wholesale Parts Pricing

## Wet/Dry Vacuum

ProGuard®4 Portable

SKU: 107128

Model: 1071280



 **ProTeam**®  
*The Vacuum Company*

# TABLE OF CONTENTS

## **ProGuard® 4 Portable, 4 Gallon Wet/Dry Vacuum**

Vacuum Safety . . . . .	3
Carton Contents . . . . .	5
Preparation for Operation . . . . .	6
Filter Assembly/Replacement . . . . .	7
Operation . . . . .	9
Cord Storage . . . . .	12
Filter Maintenance . . . . .	13
Preventive Maintenance . . . . .	15
Troubleshooting . . . . .	15
ProGuard®4 Portable Assembly . . . . .	16
ProGuard®4 Portable Parts List . . . . .	17
Servicing Double Insulated Wet/Dry Vacuums . . . . .	17
Limited Warranty . . . . .	18
Spanish . . . . .	21
French . . . . .	41

**E  
N  
G  
L  
I  
S  
H**

**E  
S  
P  
A  
Ñ  
O  
L**

**F  
R  
A  
N  
Ç  
A  
I  
S**

Go to [www.pro-team.com](http://www.pro-team.com) to register your new Vacuum.

### **INSPECTION**

Carefully unpack and inspect your new ProTeam Vacuum for shipping damage. Each unit is tested and thoroughly inspected before shipping. All returns must have a Return Authorization Number (RAN). To request an RAN or to ask questions regarding any shipping damage, contact ProTeam at 866.888.2168 or [customerservice.proteam@emerson.com](mailto:customerservice.proteam@emerson.com)

This Owner's Manual has important information for the use and safe operation of this machine. Read this manual carefully before starting the machine. Keep this manual available at all times and instruct all owners to read this manual. If instructions are not followed, an injury may occur or equipment, furniture or buildings may become damaged.

For new manuals please contact ProTeam, Inc. at:  
[customerservice.proteam@emerson.com](mailto:customerservice.proteam@emerson.com)  
 P.O. Box 7385, Boise, ID 83707  
 866.888.2168

or visit [www.pro-team.com](http://www.pro-team.com) for a downloadable version.

The contents of this manual are based on the latest product information available at the time of publication. ProTeam reserves the right to make changes or improvements to its machines without notice.

---

# IMPORTANT SAFETY INSTRUCTIONS

---

Safety is a combination of common sense, staying alert, and knowing how your Wet/Dry Vacuum cleaner ("Vacuum") works.

## Safety Signal Words

▲ **DANGER:** Indicates a hazardous situation which, if not avoided, will result in death or serious injury.

▲ **WARNING:** Indicates a hazardous situation which, if not avoided, could result in death or serious injury.

▲ **CAUTION:** Indicates a hazardous situation which, if not avoided, could result in minor or moderate injury.

When using your Vacuum, always follow basic safety precautions including the following:

## ▲ **WARNING:** To reduce the risk of fire, electric shock, or injury.

1. Read and understand this manual and all labels on the Wet/Dry Vacuum before operating.
2. Use only as described in this manual.
3. Do not leave Vacuum running while unattended - you may fail to notice important signs indicating abnormal operation such as loss of suction, debris/liquid exiting the exhaust, or abnormal motor noises. Immediately stop using Vacuum if you notice these signs.
4. Do not leave Vacuum when plugged in. Unplug from outlet when not in use and before servicing.
5. Sparks inside the motor can ignite flammable vapors or dust. To reduce the risk of fire or explosion, do not use near combustible liquids, gases, or dusts, such as gasoline or other fuels, lighter fluid, cleaners, oil-based paints, natural gas, coal dust, magnesium dust, grain dust, aluminum dust, or gun powder.
6. Do not vacuum anything that is burning or smoking, such as cigarettes, matches, or hot ashes.
7. To reduce the risk of inhaling toxic vapors, do not vacuum or use near toxic or hazardous materials.
8. To reduce the risk of electric shock, do not expose to rain or allow liquid to enter motor compartment. Store indoors.
9. Do not allow to be used as a toy. Close attention is necessary when used by or near children.
10. Do not use with a torn filter or without the filter installed except when vacuuming liquids as described in this manual. Dry debris ingested by the impeller may damage the motor or be exhausted back into the air.
11. Turn off Vacuum before unplugging.
12. To reduce the risk of injury from accidental starting, unplug power cord before changing or cleaning filter.
13. Do not unplug by pulling on cord. To unplug, grasp the plug, not the cord.
14. Do not use with damaged cord, plug, or other parts. If your Vacuum is not working as it should, has missing parts, has been dropped, damaged, left outdoors, or dropped into water, call customer service.
15. Do not pull or carry by cord, use cord as handle, close a door on cord, or pull cord around sharp edges or corners. Keep cord away from heated surfaces.
16. Do not handle plug, switch, or the Vacuum with wet hands.

## VACUUM SAFETY (Continued)

17. Use only extension cords that are rated for outdoor use. Extension cords in poor condition or too small in wire size can pose fire and shock hazards. To reduce the risk of these hazards, be sure the cord is in good condition and that liquid does not contact the connection. Do not use an extension cord with conductors smaller than 16 gauge (AWG) in size. To reduce power loss, use a 14 gauge extension cord if 25 to 50 ft long and 12 gauge for 50 ft or longer.
18. This Wet/Dry Vacuum is double-insulated, eliminating the need for a separate grounding system. Use only identical replacement parts. Read the instructions for Servicing Double-Insulated Wet/Dry Vacuums before servicing.
19. Do not put any object into ventilation openings. Do not vacuum with any ventilation openings blocked; keep free of dust, lint, hair, or anything that may reduce air flow.
20. Keep hair, loose clothing, fingers, and all parts of body away from openings and moving parts.
21. To reduce the risk of falls, use extra care when cleaning on stairs.
22. To reduce the risk of personal injury or damage to Vacuum, use only ProTeam recommended accessories.
23. When using as a blower:
  - Direct air discharge only at work area.
  - Do not set down in liquid; electric shock could occur.
  - Do not direct air at bystanders.
  - Keep children away when blowing.
  - Do not use blower for any job except blowing dirt and debris.
  - Do not use as a sprayer.
  - Wear safety eyewear.
24. To reduce the risk of eye injury, wear safety eyewear. The operation of any utility Vacuum or blower can result in foreign objects being blown into the eyes, which can result in severe eye damage.

### ▲ CAUTION:

- To reduce the risk of hearing damage, wear ear protectors when using for extended time or in a noisy area.
- For dusty operations, wear dust mask, such as an N95 or P100 mask.
- Static shocks are common when the relative humidity of the air is low. Vacuuming fine debris with your Vacuum can deposit static charge on the hose or Vacuum. To reduce the frequency of static shocks when using this Vacuum, add moisture to the air with a humidifier.

Observe the following warnings that appear on the motor housing of your Vacuum:

▲ **WARNING** - For your own safety, read and understand Owner's Manual. Do not run unattended. Do not pick up hot ashes, coals, toxic, flammable or other hazardous materials. Do not use around explosive liquids or vapors.

▲ **WARNING** - To reduce the risk of electric shock - do not expose to rain - store indoors.



DOUBLE INSULATED - GROUNDING NOT REQUIRED.  
WHEN SERVICING USE ONLY IDENTICAL PROTEAM REPLACEMENT PARTS.

# SAVE THESE INSTRUCTIONS

## ELECTRICAL CORD CARE

When vacuuming is complete, unplug the cord and wrap it around the motor cover. If the power cord is damaged, it must be replaced by the manufacturer or their service agent or by similarly qualified personnel to reduce the risk of accident.

NEVER stretch the cord tightly between the Vacuum and the outlet. A cord that is stretched or pulled will not function properly and creates a danger.

After vacuuming, unplug the cord and wind it up as described on page 12. DO NOT wind up the cord wrapping it around your hand and elbow.

Use only the designated ProTeam replacement cord.

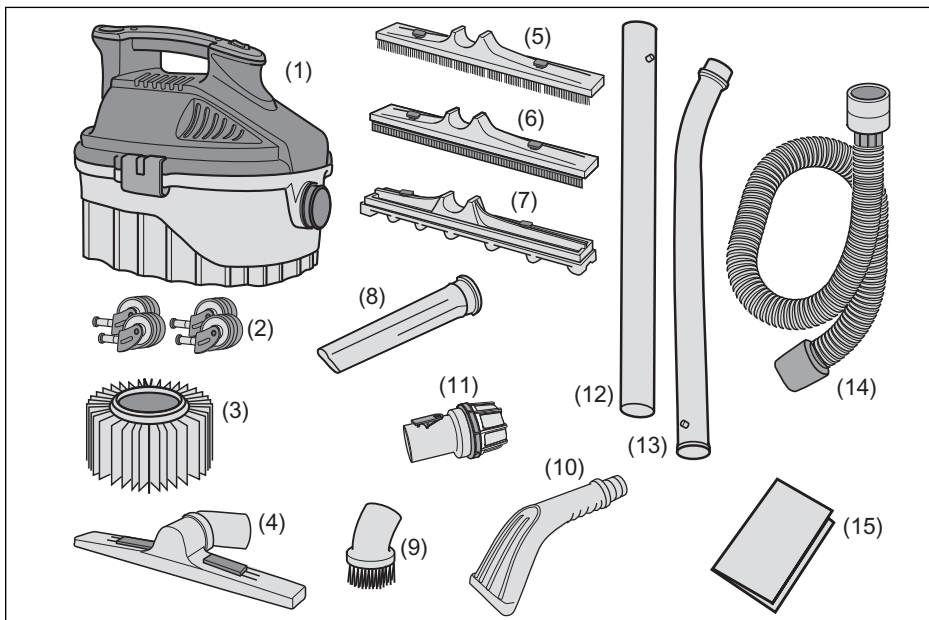
Reference Important Safety Instructions item number 17.

Cord jacket type should be SJTW or better.

## CARTON CONTENTS

### OVERVIEW

- 4 Gallon Wet/Dry Vacuum (1)
- 4 Casters (2)
- Qwik Lock™ Fine Dust Cartridge Filter (3)
- Master Floor Tool (4)
- Floor Brush Insert (5)
- Squeegee Insert (6)
- Carpet Insert (7)
- Crevice Tool (8)
- Dust Brush (9)
- Claw Nozzle (10)
- Diffuser (11)
- Straight Wand (12)
- Curved Wand (13)
- Hose Assembly (14)
- Owner's Manual (15)



---

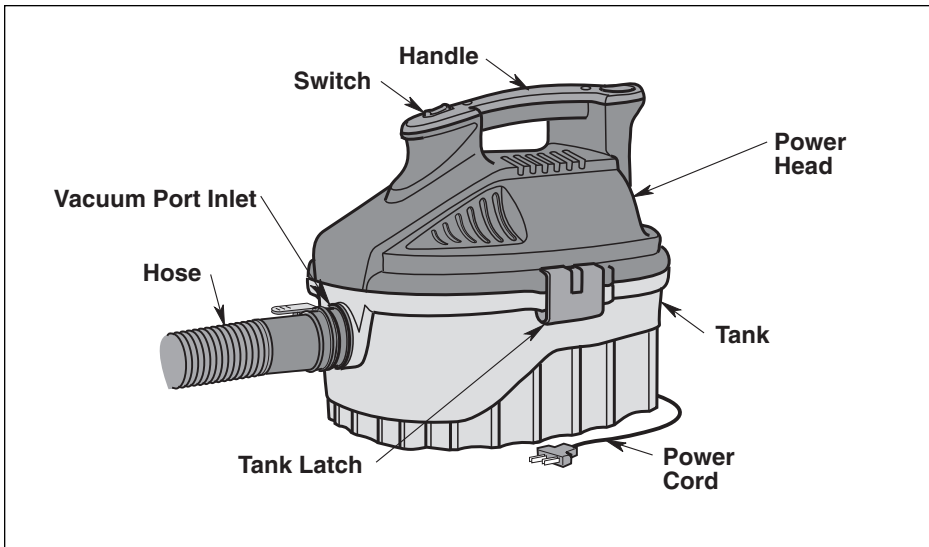
# PREPARATION FOR OPERATION

---

## GETTING STARTED

This Wet/Dry Vacuum is intended for commercial use. It may be used for light vacuuming of wet or dry media and may be used as a blower. The lightweight design allows usage for most small vacuuming chores. Familiarize yourself with the following product and features and read the entire manual for specific usage of your new Wet/Dry Vacuum.

Familiarize yourself with the controls and features of your Wet/Dry Vacuum before operating (*Figure A*).



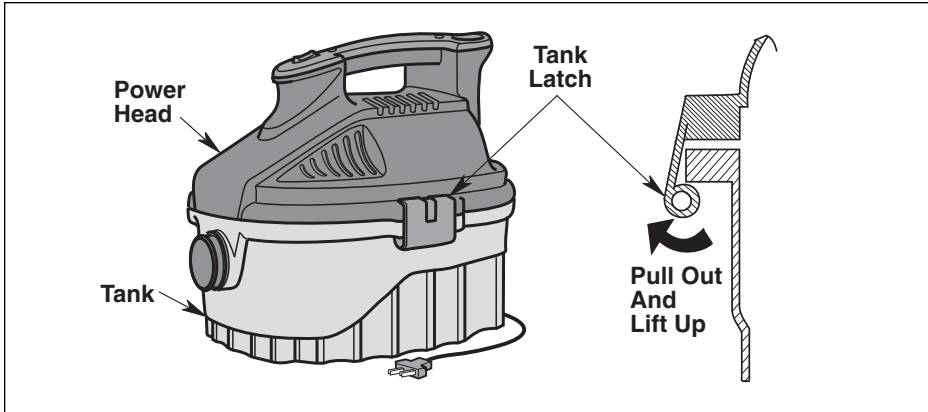
*Figure A*

## FILTER ASSEMBLY/REPLACEMENT

**▲ WARNING:** For your own safety, never connect plug to power source outlet until all assembly steps are complete and you have read and understood the safety and operation instructions. Do not operate Vacuum with any parts damaged or missing.

### To Remove Power Head:

1. Grasp the tank latches on both the right and left side of the power head. Slowly pull the tank latches away from the tank. Lift the power head off the tank. Place the power head of the Vacuum upside down (*Figure B*).



*Figure B*

## FILTER ASSEMBLY/REPLACEMENT (cont.)

**▲ WARNING:** Do not operate without filter cage and float, as they prevent liquid from entering the impeller and damaging the motor.

**IMPORTANT:** To avoid damage to the blower wheel, always reinstall the filter before using the Vacuum for dry material pick-up.

### Removal and Installation of Qwik Lock™ Fine Dust Cartridge Filter

#### Filter Removal:

1. Hold the filter tabs of the Qwik Lock filter in each hand (*Figure C*).
2. With one thumb on the Qwik Lock stud, which protrudes through the integrated filter plate, lift up on the filter tabs while pushing down on the stud.
3. This action will cause the filter to release from the filter cage. Slide filter off cage.

#### Filter Installation:

1. Carefully slide the Qwik Lock filter over the filter cage and press down on the outside edge of the filter until the rubber gasket on the bottom of the filter seats securely around the base of the filter cage and against the lid.
2. Align the small center hole in the top of the filter over the Qwik Lock™ stud on the filter cage. Press firmly on top of the filter near the stud to allow the filter to snap over the ball on the end of the stud. The filter is now attached.

**NOTE:** Failure to properly seat the bottom gasket could result in debris bypassing the filter.

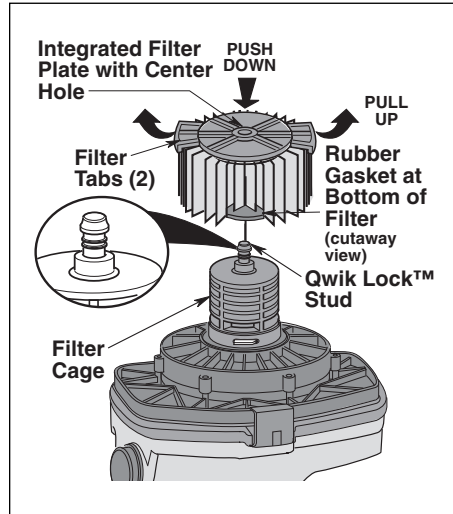


Figure C



## OPERATION

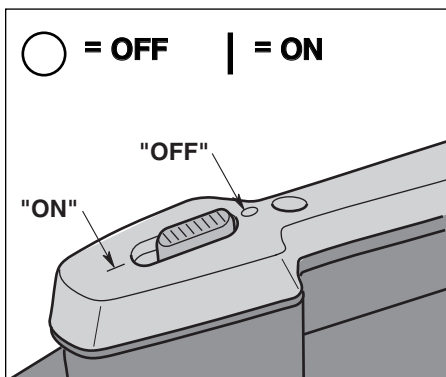
**▲ WARNING** - To reduce the risk of fire, explosion, or damage to Vacuum:

- Do not leave Vacuum running while unattended - you may fail to notice important signs indicating abnormal operation such as loss of suction, debris/liquid exiting the exhaust, or abnormal motor noises. Immediately stop using Vacuum if you notice these signs.
- Do not leave Vacuum plugged in when not in use.
- Do not continue running when float has cut off suction.
- Do not operate Vacuum in areas with flammable gases, vapors or explosive dust in the air. Sparks inside the motor can ignite airborne flammables. Flammable gases and vapors include: lighter fluid, solvent-type cleaners, oil-based paints, gasoline, alcohol, and aerosol sprays. Flammable dusts include: coal, magnesium, aluminum, grain, and gun powder.
- Do not vacuum up explosive dusts, flammable liquids, or hot ashes.
- Do not use Vacuum as a sprayer.

**▲ WARNING** - To reduce the risk of electric shock or injury:

- Do not expose to rain or allow liquid to enter motor compartment. Store indoors.
- Do not handle plug, switch, or Vacuum with wet hands.
- Do not service Vacuum while it is plugged in. If your Vacuum is not working as it should, has missing parts, has been dropped, damaged, left outdoors, or dropped into water, return it to an authorized service center or call customer service.
- When using an extension cord, use only outdoor-rated cords that are in good condition. Do not allow the connection to come into contact with liquid.
- Do not vacuum toxic materials to reduce the risk of inhaling the vapors or dust.

To reduce the risk of electric shock, this Vacuum has a polarized plug (one blade is wider than the other). This plug will fit in a polarized outlet only one way. If the plug does not fit fully in the outlet, reverse the plug. If it still does not fit, contact a qualified electrician to install the proper outlet. Do not change the plug in any way.



After you plug the power cord into the outlet, turn the unit on by pushing the switch from position "O" to position "I". The symbols used on the switch actuator are international "On & Off" symbols (Figure D).

Figure D

---

## OPERATION (Continued)

---

### Vacuumping Dry Materials

1. The filter must be in correct position at all times to avoid leaks and possible damage to Vacuum.
2. When using your Vacuum to pick up very fine dust, it will be necessary for you to empty the tank and clean the filter at more frequent intervals to maintain peak Vacuum performance.

**NOTE:** A dry filter is necessary to pick up dry material. If you use your Vacuum to pick up dust when the filter is wet, the filter will clog quickly and will be very difficult to clean.

**▲ WARNING:** Do not operate without filter cage and float, as they prevent liquid from entering the impeller and damaging the motor. For dry material pick-up, do not operate without the filter in place to reduce the risk of damage to the motor.

### Vacuumping Liquids

1. When picking up small amounts of liquid, the filter may be left in place.
2. When picking up large amounts of liquid, we recommend that the filter be removed. If the filter is not removed, it will become saturated and misting may appear in the exhaust.
3. When the liquid in the tank reaches a predetermined level, the float mechanism will rise automatically to cut off airflow. You will know that the float has risen because Vacuum airflow ceases and the motor noise will become higher in pitch, due to increased motor speed. When this happens, turn off the Vacuum and empty the tank.
4. After using the Vacuum to pick up liquids, the filter must be dried to avoid possible mildew and damage to the filter.

**IMPORTANT:** To avoid damage to the Vacuum, do not run motor with float in raised position.

## OPERATION (Continued)

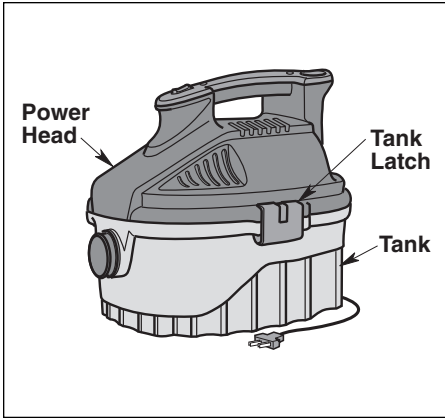


Figure E

### Emptying the Tank

1. To remove the lid to empty contents of the tank, simply lift the two tank latches on the side of the Vacuum and lift the power head up and off the tank and set to the side (Figure E).
2. Lay the power head on a clean dry area while emptying the tank or changing the filter.
3. Dump the tank contents into the proper waste disposal container (Figure F).



Figure F

### Blowing Feature

Your Wet/Dry Vacuum has the capability to be used as a blower for yard work, patio cleanup and workshop applications to blow sawdust and other debris.

**NOTE:** The blowing port is located opposite the Vacuum port.

**▲ WARNING** - Always wear safety eyewear complying with ANSI Z87.1 (or in Canada, CSA Z94.3) before using as a blower.

**▲ WARNING** - To reduce the risk of injury to bystanders, keep them clear of blowing debris.

**▲ CAUTION** - Wear a dust mask, such as an N95 or P100 mask, if blowing creates dust which might be inhaled.

**▲ CAUTION** - To reduce the risk of hearing damage, wear ear protectors when using the Vacuum/Blower for extended time or in a noisy area.

---

## CORD STORAGE

---

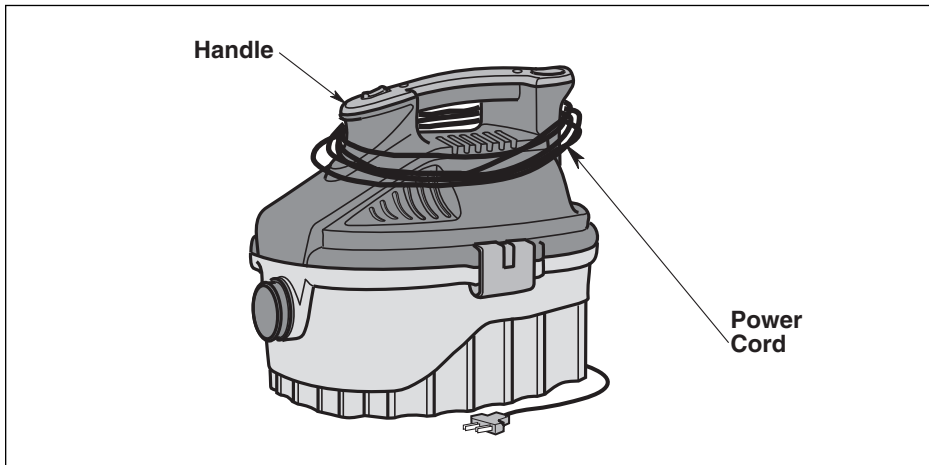
1. Your Vacuum has a convenient area to store your power cord.
2. Wrap the power cord around the top of the handle on the Vacuum and attach the end of the plug to the cord (*Figure G*).
3. The hose included with this product will not store around handle. Store hose separately in a safe place, close to Wet/Dry Vacuum.

### Cord Maintenance

When vacuuming is complete, unplug the cord and wrap it around the motor cover. If the power cord is damaged, it must be replaced by qualified personnel to reduce the risk of accident.

### Storage

Before storing your Vacuum, the tank should be emptied and cleaned. The cord should be wrapped around the unit. Accessories should be kept in the same area as the Vacuum so they can be readily available. The Vacuum should be stored indoors.



*Figure G*

---

# MAINTENANCE

---

## Cleaning Vacuum Filter

**Note:** The filter is made of high quality paper designed to stop very small particles of dust. The filter can be used for dry pick-up or to pick up small amounts of liquid. Handle the filter carefully when removing or installing. Creases in the filter pleats may occur from installation but will not affect the performance of the filter.

## Filter Removal

Refer to page 8 "Filter Assembly/Replacement" Section of this manual.

**IMPORTANT:** To avoid damage to the blower wheel and motor, always reinstall the filter before using the Vacuum for dry material pick up.

## Cleaning A Dry Filter

**NOTE:** Clean the filter in an open area. Cleaning **SHOULD** be done outdoors.

1. Light cleaning of some dry debris from the filter can be accomplished without removing the filter from the Vacuum. Simply slap your hand on top of the handle while the Vacuum is turned off.
2. Remove filter from Vacuum. Gently tap the filter against the inside wall of your tank and the debris will loosen and fall.
3. For thorough cleaning of a dry filter with fine dust (no debris) you may run water through it as described under "Cleaning A Wet Filter" Section.

## Cleaning A Wet Filter

After filter is removed, run water from a hose or spigot through the filter. Take care that water pressure from the hose is not strong enough to damage filter. Allow the filter to air dry before reinstalling and storing the Vacuum.

**IMPORTANT:** After cleaning, check the filter for tears or small holes. Do not use a filter with holes or tears in it. Even a small hole can cause a lot of dust to come out of your Vacuum. If your filter is damaged or worn, **replace it immediately.**

## MAINTENANCE (Continued)

### Cleaning and Disinfecting the Wet/Dry Vacuum

To keep your Wet/Dry Vacuum looking its best, clean the outside with a cloth dampened with warm water and mild soap (*Figure H*).

To clean the tank:

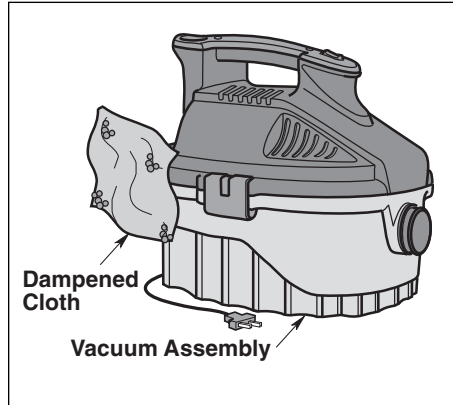
1. Dump out debris.
2. Wash tank thoroughly with warm water and mild soap.
3. Wipe out with dry cloth.

Before prolonged storage or as needed (e.g., waste water pick up), the tank should be disinfected.

To disinfect the tank:

1. Pour 1 gallon of water and 1 teaspoon of chlorine bleach into the tank.
2. Let solution stand for 20 minutes, carefully swishing every few minutes, making sure to wet all inside surfaces of the tank.
3. Empty tank after 20 minutes. Rinse with water until bleach smell is gone. Allow tank to dry completely before sealing the motor on the tank.

**▲ WARNING** - To assure product SAFETY and RELIABILITY, repairs and adjustments should be performed by an Authorized Service Centers, always using ProTeam replacement parts.



*Figure H*

---

# PREVENTIVE MAINTENANCE

---

## ▲ WARNING:

The following information is for use by qualified service personnel only and provides guidance for troubleshooting and maintenance.

- **Unplug** the Vacuum when working on the motor or any electrical part.
- **DO NOT** lubricate the motor.
- **DO NOT** tie extension cord and power cord together. Doing so will result in damage to both cords and will not be covered under warranty.

## CARING FOR YOUR VACUUM

1. To ensure a valid Vacuum warranty, optimal performance and improved indoor air quality, be sure to use genuine ProTeam Filters.
2. Check all filters before each use. Empty or replace the filters as necessary.
3. Wipe the inside and outside of the Vacuum with a cleaning agent after each use.

## PROPER STORAGE

When the Vacuum is not in use, the Vacuum should be stored indoors and in a dry location. Before storing your Vacuum, the tank should be emptied and cleaned. The cord should be wrapped around the unit and the hose and accessories should be stored as described in this manual. Accessories should be kept in the same area as the Vacuum so they can be readily available.

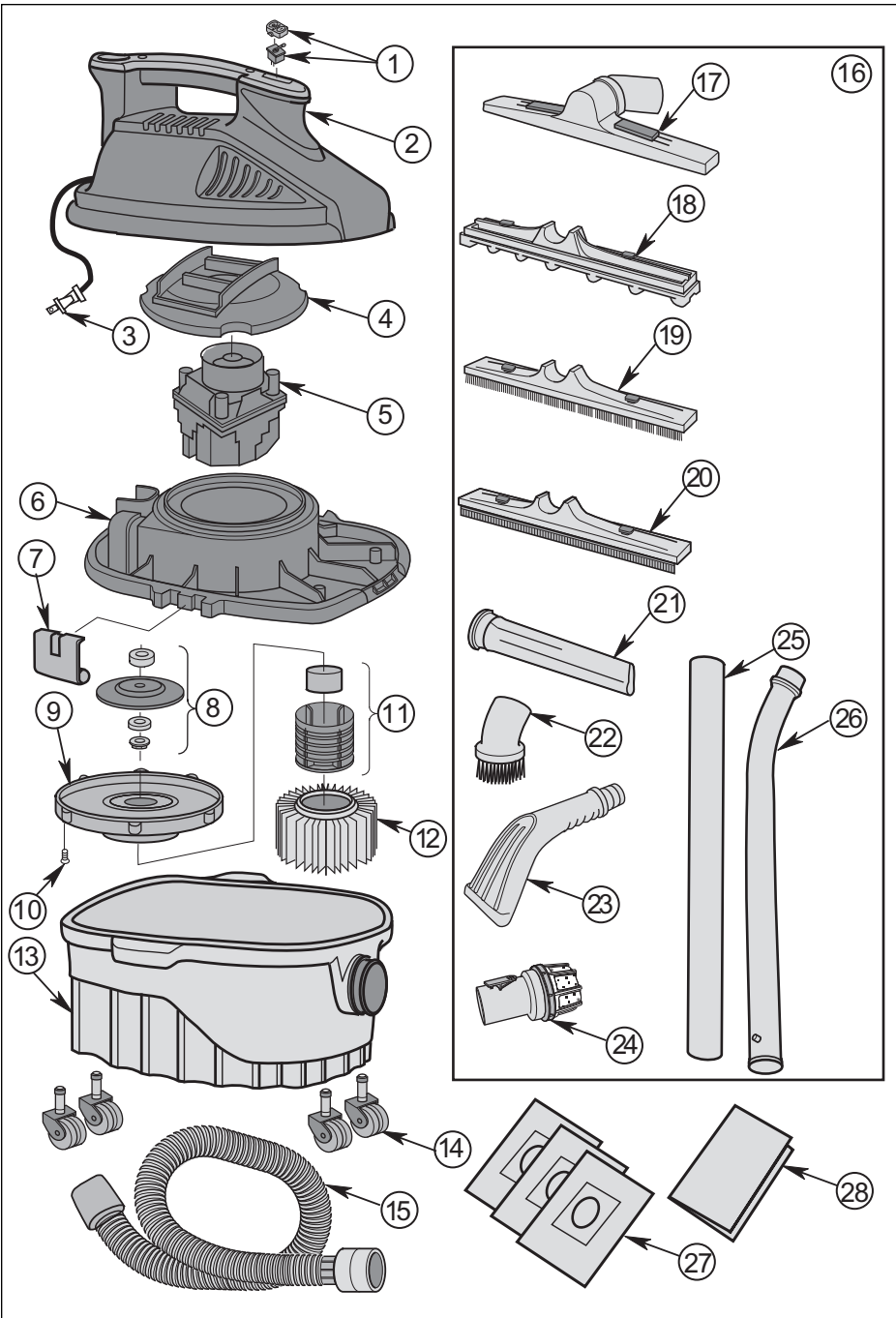
---

# TROUBLESHOOTING

---

1. If the Vacuum will not operate, check the following:
  - a. The power supply cord at the wall outlet
  - b. The power supply cord at the Vacuum
  - c. That the switch is in the "on" position and functioning properly
  - d. Confirm the wall outlet being used has power. Check the circuit breaker in the building. If that is not the problem contact a ProTeam Authorized Warranty Station.
2. If the cord is getting too warm, check to see that the cord does not exceed a length of 50 feet at 14 gauge or 100 feet at 12 gauge.
3. If loss of suction occurs, check the following:
  - a. Check that debris is not plugging the hose and/or accessories.
  - b. Check and/or clean the pleated filter.
  - c. Check that the hose cuffs are fitting tightly on the hose and are not cracked.
  - d. Check that the power head is properly attached to the Vacuum tank.

# PROGUARD® 4 PORTABLE ASSEMBLY





# PROGUARD® 4 PORTABLE REPAIR PARTS


## Repair Parts Assembly

All items sold as each's unless otherwise identified

ProGuard® 4 Portable			QTY. NEEDED
ORDER #	PRODUCT NAME		
1	510123	Switch and Switch Cover (Set)	1
2	510107	Motor Cover and Top Handle	1
3	829719-4	Cord Assembly	1
4	830519	Exhaust Duct	1
5	509776-19	Motor Assembly (Includes: # 8)	1
6	830520-2	Lid	1
7	826387	Tank Latch	2
8	510124	Spacer, Blower Wheel, Washer, Nut	1
9	832656-1	Plate Collector	1
10	820563-4	Screw, Type AB #10 x 3/4"	7
11	510108	Filter Cage and Float Assembly	1
12	107178	Qwik Lock™ Fine Dust Cartridge Filter	1
13	510106	Tank (With Inlet)	1
14	510109	Caster (Set of 4)	1
15	831337-6	Premium Hose Assembly	1
16	107184	Accessory Kit (Includes: 17 - 26)	1
17	107189	Master Floor Tool	1
18	107191	Carpet Insert	1
19	107192	Floor Brush Insert	1
20	107193	Squeegee Insert	1
21	107194	Crevice Tool	1
22	107195	Dust Brush	1
23	107196	Claw Nozzle	1
24	830098	Diffuser	1
25	107190	Straight Wand	1
26	107188	Curved Wand	1
27	107182	Intercept Micro® Filter Bag - 3/pk (Optional)	1
28	SP6768	Owner's Manual	1

### ▲ WARNING

#### SERVICING OF DOUBLE-INSULATED WET/DRY VACUUM

In a double-insulated Wet/Dry Vacuum, two systems of insulation are provided instead of grounding. No means of grounding is provided on a double-insulated appliance, nor should a means for grounding be added. Servicing a double-insulated Wet/Dry Vacuum requires extreme care and knowledge of the system, and should be done only by qualified service personnel. Replacement parts for a double-insulated Wet/Dry Vacuum must be identical to the parts they replace. Your double-insulated Wet/Dry Vacuum is marked with the words "DOUBLE INSULATED" and the symbol  (square within a square) may also be marked on the appliance.

To reduce the risk of injury from electrical shock, unplug power cord before servicing the electrical parts of the Wet/Dry Vacuum.

# PROGUARD® 4 PORTABLE WARRANTY

This limited warranty applies to the following ProTeam, Inc. commercial ProGuard®Wet/Dry Vacuums (collectively, the "ProGuard Products"): ProGuard 4.

If you have any questions or need assistance regarding the warranty of your product, please call ProTeam Customer Service department at (866) 888-2168 7:30 a.m. - 5:00 p.m. Mountain Time.

## ProGuard®- Limited Warranty

ProTeam, Inc., located at 12438 W. Bridger Street, Boise, Idaho 83713 ("ProTeam") warrants to the original purchaser only ("you") subject to the exclusions described below, that the ProGuard Product component parts and motors listed below will be free from defects in material and workmanship beginning on the original date of purchase and continuing for the period set forth below (each a "Warranty Period"). This limited warranty terminates if the original purchaser transfers the ProGuard Product to any other person or entity.

### Parts Warranties - All ProGuard Products

- Molded body parts on all ProGuard Products - Expected lifetime of the ProGuard Product.
- All other component parts (excluding the motor) on all ProGuard Products - 3 years.

### Motor Warranties - Specific to each ProGuard Product

- ProGuard 4 - Vacuum motor - 1 year.

### What is Not Covered - Warranty Exclusions

This limited warranty does not extend to and expressly excludes:

- Normal wear and tear and/or replacement attachments or accessories, including, without limitation, extension cords, hoses, filters, switches, carbon motor brushes and other attachments to the ProGuard Product.
- Damage or burnout of the ProGuard Product motor resulting from failure to clear a blockage occurring during the normal course of use.
- Loss or damage to the ProGuard Product resulting from conditions beyond ProTeam's control including without limitation, misuse, accident, abuse, neglect, negligence (other than ProTeam's), overuse beyond intended capacity, or unauthorized modification or alteration.
- Loss or damage to the ProGuard Product resulting from failure to follow the required maintenance schedule, or failure to use the ProGuard Product in accordance with ProTeam's written instructions, guidelines or the terms of its Owner's Manual.

### What We Will Do to Correct Problems

If a claim made during the Warranty Period is covered under this limited warranty, ProTeam or your local ProTeam authorized dealer will, at ProTeam's sole option, (a) repair the defective portion of the ProGuard Product or (b) replace the entire ProGuard Product. THE SOLE AND EXCLUSIVE REMEDY FOR BREACH OF THIS LIMITED WARRANTY SHALL BE LIMITED TO REPAIR OR REPLACEMENT OF THE PROGUARD PRODUCT.

### No Other Express Warranty Applies

THE LIMITED WARRANTIES PROVIDED ABOVE ARE THE SOLE AND EXCLUSIVE WARRANTIES PROVIDED BY PROTEAM TO THE ORIGINAL PURCHASER, AND ARE IN LIEU OF ALL OTHER WARRANTIES, WRITTEN OR ORAL, EXPRESS OR IMPLIED, WHETHER ARISING BY OPERATION OF LAW OR OTHERWISE, INCLUDING, WITHOUT LIMITATION, WARRANTIES OF MERCHANTABILITY OR FITNESS FOR A PARTICULAR PURPOSE, WHETHER OR NOT THE PURPOSE HAS BEEN DISCLOSED AND WHETHER OR NOT THE PROGUARD PRODUCT HAS BEEN SPECIFICALLY DESIGNED OR MANUFACTURED FOR YOUR USE OR PURPOSE. No employee, agent, dealer, or other person is authorized to alter this limited warranty or make any other warranty on behalf of ProTeam. The terms of this limited warranty shall not be modified by ProTeam, the original owner, or their respective successors or assigns.

---

# PROGUARD<sup>®</sup> 4 PORTABLE WARRANTY

---

## How to Notify Us

If you discover that your ProGuard Product has a defect that you believe is covered by this limited warranty, you must notify ProTeam or the ProTeam authorized dealer who sold you the ProGuard Product within the applicable Warranty Period. You may contact ProTeam Customer Service department at (866) 888-2168 between the hours of 7:30 a.m. and 5:00 p.m. Mountain Time or at any time via the fax number or the email address listed in your Owner's Manual or on our website. In order for a warranty claim to be processed as quickly as possible, we suggest that you complete the "Registration Card" made available to you on the ProTeam website at [www.pro-team.com](http://www.pro-team.com). If you do not choose to register your ProGuard Product, in order to make a warranty claim, you will need to provide a copy of your sales receipt or other proof of purchase showing the purchase date to ProTeam or your local ProTeam authorized dealer.

## Repair and Replacement Procedures

Please call the Customer Service department number above or visit the ProTeam website to find the ProTeam authorized dealer nearest you. If there is no local ProTeam authorized dealer, our Customer Service department will give you the name and address of the nearest field service representative or will provide you with instructions for shipping your ProGuard Product to the ProTeam repair facility. ProTeam or your local ProTeam authorized dealer will determine whether your claim is covered by this limited warranty, subject to the limitations or exclusions described in this limited warranty, or has exceeded the applicable Warranty Period. Your local ProTeam authorized dealer will repair your ProGuard Product, ship your ProGuard Product to the dealer's or ProTeam's repair facility, or contact ProGuard for a replacement ProGuard Product. The decision to replace your ProGuard Product is at the sole discretion of ProTeam. Repairs or modifications made to the ProGuard Product by other than ProTeam, its authorized repair facility or a local authorized dealer will nullify this limited warranty. Coverage under this limited warranty is conditioned at all times upon the original purchaser's compliance with these required notification and repair procedures.

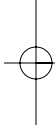
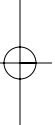
## Limitation of Liability

TO THE EXTENT PERMITTED BY LAW, IN NO EVENT SHALL PROTEAM BE LIABLE FOR ANY INCIDENTAL, SPECIAL, INDIRECT, OR CONSEQUENTIAL DAMAGES, INCLUDING ANY ECONOMIC LOSS, WHETHER RESULTING FROM NONPERFORMANCE, USE, MISUSE OR INABILITY TO USE THE PROGUARD PRODUCT OR PROTEAM'S NEGLIGENCE. SELLER SHALL NOT BE LIABLE FOR DAMAGES CAUSED BY DELAY IN PERFORMANCE AND IN NO EVENT, REGARDLESS OF THE FORM OF THE CLAIM OR CAUSE OF ACTION (WHETHER BASED IN CONTRACT, INFRINGEMENT, NEGLIGENCE, STRICT LIABILITY, OTHER TORT OR OTHERWISE), SHALL PROTEAM'S LIABILITY TO BUYER AND/OR ITS CUSTOMERS EXCEED THE PRICE PAID BY THE ORIGINAL OWNER FOR THE PROGUARD PRODUCT. The term "consequential damages" shall include, but not be limited to, loss of anticipated profits, business interruption, loss of use or revenue, cost of capital or loss or damage to property or equipment.

Some states do not allow the exclusion or limitation of incidental or consequential damages, so the above limitation may not apply to you.

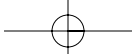
This limited warranty gives you specific legal rights, and you may also have other rights which vary from State to State.

ProTeam, ProGuard, Intercept Micro, and Qwik Lock are trademarks of Emerson.



ProTeam, Inc.  
customerservice.proteam@emerson.com  
P.O. Box 7385, Boise, ID 83707  
866.888.2168

**SP6768-1**  
**Printed 12/11**



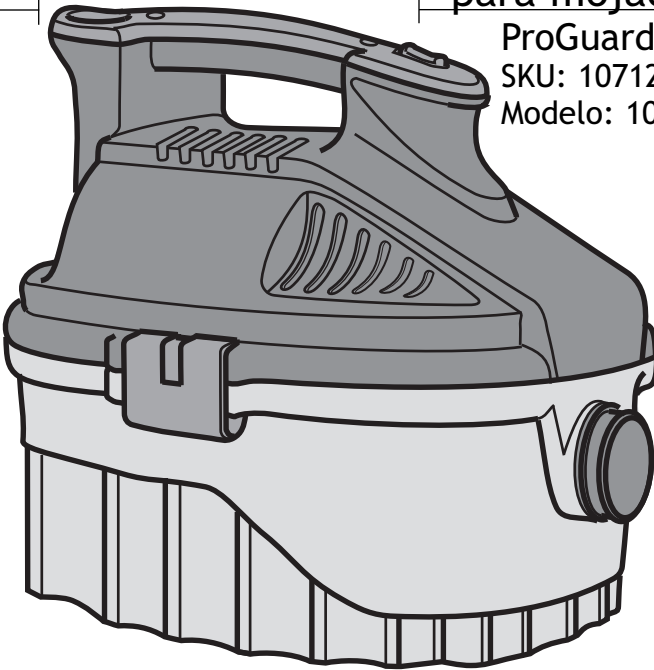
## MANUAL DEL USUARIO

Aspiradora  
para mojado/seco

ProGuard®4 portátil

SKU: 107128

Modelo: 1071280



ESPAÑOL

 **ProTeam**<sup>®</sup>  
The Vacuum Company

# INDICE

## **ProGuard® 4 portátil, Aspiradora para mojado/seco de 4 galones**

Seguridad de la aspiradora . . . . .	23
Contenido de la caja de cartón . . . . .	25
Preparación para la utilización . . . . .	26
Ensamblaje/Reemplazo del filtro . . . . .	27
Utilización . . . . .	29
Almacenamiento del cordón de alimentación . . . . .	32
Mantenimiento del filtro . . . . .	33
Mantenimiento preventivo . . . . .	35
Resolución de problemas . . . . .	35
Ensamblaje de la ProGuard®4 portátil . . . . .	36
Lista de piezas de la ProGuard®4 portátil . . . . .	37
Servicio de ajustes y reparaciones de las aspiradoras para mojado/seco con aislamiento doble . . . . .	37
Garantía limitada . . . . .	38
English . . . . .	1
Français . . . . .	41

Visite [www.pro-team.com](http://www.pro-team.com) para registrar su nueva aspiradora.

### **INSPECCIÓN**

Desempaque cuidadosamente e inspeccione minuciosamente su nueva aspiradora ProTeam para determinar si ha sufrido daños durante el transporte. Cada unidad es comprobada e inspeccionada minuciosamente antes de su envío. Todas las devoluciones deben tener un Número de Autorización de Devolución (Return Authorization Number, RAN). Para solicitar un RAN o hacer preguntas sobre cualquier daño sufrido durante el transporte, contacte a ProTeam llamando al 866.888.2168 ó escribiendo a [customerservice.proteam@emerson.com](mailto:customerservice.proteam@emerson.com).

Este manual del usuario contiene información importante para el uso y la operación segura de esta máquina. Lea detenidamente este manual antes de arrancar la máquina. Mantenga disponible este manual en todo momento e indique a todos los dueños que lean este manual. Si no se siguen las instrucciones, podría ocurrir una lesión o los equipos, muebles o edificios podrían sufrir daños.

Para obtener manuales nuevos, sírvase contactar a ProTeam, Inc., dirigiéndose a: [customerservice.proteam@emerson.com](mailto:customerservice.proteam@emerson.com)  
P.O. Box 7385, Boise, ID 83707  
866.888.2168 ó visite [pro-team.com](http://pro-team.com) para obtener una versión descargable.

El contenido de este manual se basa en la más reciente información disponible sobre el producto en el momento de su publicación. ProTeam se reserva el derecho a hacer cambios o mejoras a sus máquinas sin previo aviso.

# INSTRUCCIONES DE SEGURIDAD IMPORTANTES

La seguridad es una combinación de sentido común, mantenerse alerta y saber cómo funciona su aspiradora para mojado/seco (la "aspiradora").

## Palabras de señal de seguridad

▲ **PELIGRO:** indica una situación peligrosa que, si no se evita, causará la muerte o lesiones graves.

▲ **ADVERTENCIA:** indica una situación peligrosa que, si no se evita, podría causar la muerte o lesiones graves.

▲ **PRECAUCIÓN:** indica una situación peligrosa que, si no se evita, pudiera causar lesiones leves o moderadas.

Cuando utilice la aspiradora, siga siempre las precauciones básicas de seguridad, incluyendo las siguientes:

## ▲ **ADVERTENCIA:** Para reducir el riesgo de incendio, sacudidas eléctricas o lesiones.

1. Lea y entienda este manual del usuario y todas las etiquetas que están colocadas en la aspiradora para mojado/seco antes de utilizarla.
2. Utilice la aspiradora únicamente de la manera que se describe en este manual.
3. No deje la aspiradora en marcha mientras esté desatendida. Usted podría no notar señales importantes que indiquen un funcionamiento anormal, tal como pérdida de succión, residuos o líquido que salen por el escape o ruidos anormales del motor. Deje de usar la aspiradora inmediatamente si observa estas señales.
4. No abandone la aspiradora cuando esté enchufada. Desenchúfela del tomacorriente cuando no la esté utilizando y antes de realizar servicio de revisión.
5. Las chispas que se producen en el interior del motor pueden incendiar los vapores inflamables o el polvo. Para reducir el riesgo de incendio o explosión: No use la aspiradora cerca de líquidos o gases inflamables o combustibles, o polvos explosivos como gasolina u otros combustibles, líquido encendedor, limpiadores, pinturas a base de aceite, gas natural, hidrógeno, polvo de carbón, polvo de magnesio, polvo de aluminio, polvo de granos de cereal o pólvora.
6. No recoja con la aspiradora nada que esté ardiendo o humeando, como cigarrillos, fósforos o cenizas calientes.
7. Para reducir el riesgo de inhalar vapores tóxicos, no recoja con la aspiradora materiales tóxicos o peligrosos ni la use cerca de dichos materiales.
8. Para reducir el riesgo de descargas eléctricas, no exponga la aspiradora a la lluvia ni deje que entren líquidos en el compartimiento del motor. Guarde la aspiradora en un lugar interior.
9. No permita que la aspiradora se utilice como un juguete. Se necesita prestar máxima atención cuando sea utilizada por niños o cerca de éstos.
10. No use la aspiradora con un filtro desgarrado o sin tener el filtro instalado, excepto cuando recoja con ella líquidos de la manera que se describe en este manual. Los residuos secos absorbidos por el impulsor podrían dañar el motor o ser expulsados de vuelta al aire.
11. Apague la aspiradora antes de desenchufarla.
12. Para reducir el riesgo de lesiones debidas a un arranque accidental, desenchufe el cordón de energía antes de cambiar o limpiar el filtro.
13. No desenchufe la aspiradora tirando del cordón. Para desenchufarla, agarre el enchufe y no el cordón.
14. No use la aspiradora con el cordón dañado, el enchufe dañado u otras piezas dañadas. Si la aspiradora no funciona como debe, le faltan piezas, se ha caído, ha sido dañada, se ha dejado a la intemperie o se ha caído al agua, llame a servicio al cliente.
15. No tire de la aspiradora usando el cordón ni la lleve por el cordón, ni use el cordón como asa, ni cierre una puerta sobre el cordón, ni tire del cordón alrededor de bordes o esquinas afilados. No pase la aspiradora en marcha sobre el cordón. Mantenga el cordón alejado de las superficies calientes.
16. No maneje el enchufe, el interruptor o la aspiradora con las manos mojadas.

## SEGURIDAD DE LA ASPIRADORA (cont.)

17. Utilice únicamente cordones de extensión que tengan capacidad nominal para uso a la intemperie. Los cordones de extensión que estén en malas condiciones o tengan un tamaño de alambre demasiado pequeño pueden crear peligros de incendio y descargas eléctricas. Para reducir el riesgo de estos peligros, asegúrese de que el cordón esté en buenas condiciones y que el líquido no entre en contacto con la conexión. No utilice un cordón de extensión que tenga conductores con un diámetro menor al calibre 16 (AWG). Para reducir la pérdida de potencia, utilice un cordón de extensión de calibre 14 si la longitud es de 25 a 50 pies, y de calibre 12 si la longitud es de 50 pies o más.
18. Esta aspiradora tiene aislamiento doble, lo cual elimina la necesidad de un sistema independiente de conexión a tierra. Utilice únicamente piezas de repuesto idénticas. Lea las instrucciones de servicio de revisión de las aspiradoras para mojado/seco con aislamiento doble antes de realizar dicho servicio.
19. No ponga ningún objeto en las aberturas de ventilación. No recoja nada con la aspiradora cuando cualquiera de las aberturas de ventilación esté bloqueada; mantenga dichas aberturas libres de polvo, pelusa, pelo o cualquier cosa que pueda reducir el flujo de aire.
20. Mantenga el pelo, la ropa holgada, los dedos y todas las partes del cuerpo alejados de las aberturas y de las piezas móviles.
21. Para reducir el riesgo de caídas, tenga cuidado adicional al limpiar en escaleras.
22. Para reducir el riesgo de lesiones corporales o daños a la aspiradora, utilice únicamente accesorios recomendados por ProTeam.
23. Cuando utilice la aspiradora como soplador :
  - Dirija la descarga de aire solamente hacia el área de trabajo.
  - No deje la unidad en líquido; el resultado podría ser descargas eléctricas.
  - No dirija el aire hacia las personas que estén presentes.
  - Mantenga alejados a los niños durante la operación de soplado.
  - No utilice el soplador para trabajos que no sean soplar suciedad y residuos.
  - No use la aspiradora como rociador.
  - Use protección ocular de seguridad.
24. Para reducir el riesgo de lesiones en los ojos, use protección ocular de seguridad. La utilización de cualquier aspiradora utilitaria o soplador utilitario puede hacer que se soplen objetos extraños hacia los ojos, lo cual puede causar daños graves en los ojos.

### ▲ PRECAUCIÓN:

- Para reducir el riesgo de daños a la audición, use protectores de oídos cuando utilice la aspiradora durante muchas horas seguidas o cuando la emplee en un área ruidosa.
- Para operaciones que generen polvo, use una máscara antipolvo, como por ejemplo una máscara N95 ó P100.
- Las descargas de estática son comunes cuando la humedad relativa del aire es baja. Si recoge residuos finos con la aspiradora, se puede depositar carga estática en la manguera o en la aspiradora. Para reducir la frecuencia de las descargas de estática cuando utilice esta aspiradora, añada humedad al aire con un humidificador.

Siga las siguientes advertencias que aparecen en la caja del motor de la aspiradora.

▲ **ADVERTENCIA** - Para su propia seguridad, lea y entienda el manual del operador. No tenga en marcha la aspiradora desatendida. No recoja cenizas calientes, carbón caliente, materiales tóxicos ni inflamables ni otros materiales peligrosos. No use la aspiradora alrededor de líquidos o vapores explosivos.

▲ **ADVERTENCIA** - Para reducir el riesgo de sacudidas eléctricas, no exponga la aspiradora a la lluvia y almacénela en interiores.



**ASLAMIENTO DOBLE. NO SE REQUIERE CONEXION A TIERRA.**  
CUANDO HAGA SERVICIO DE REVISIÓN DE LA ASPIRADORA, UTILICE ÚNICAMENTE PIEZAS DE REPUESTO IDÉNTICAS.

# GUARDE ESTAS INSTRUCCIONES



## CUIDADO DEL CORDÓN DE ALIMENTACIÓN ELÉCTRICA

Cuando haya terminado de aspirar, desenchufe el cordón de alimentación y enróllelo alrededor de la cubierta del motor. Si el cordón de alimentación está dañado, debe ser reemplazado por el fabricante o el agente de servicio de éste, o por personal similarmente calificado, para reducir el riesgo de accidente.

No estire NUNCA el cordón de alimentación tensándolo entre la aspiradora y el tomacorriente. Un cable que esté estirado o jalado no funcionará correctamente y creará un peligro.

Después de aspirar, desenchufe el cordón de alimentación y enróllelo de la manera que se describe en la página 32. NO enrolle el cordón de alimentación enrollándolo alrededor de la mano y del codo.

Utilice únicamente el cordón de alimentación de repuesto ProTeam designado.

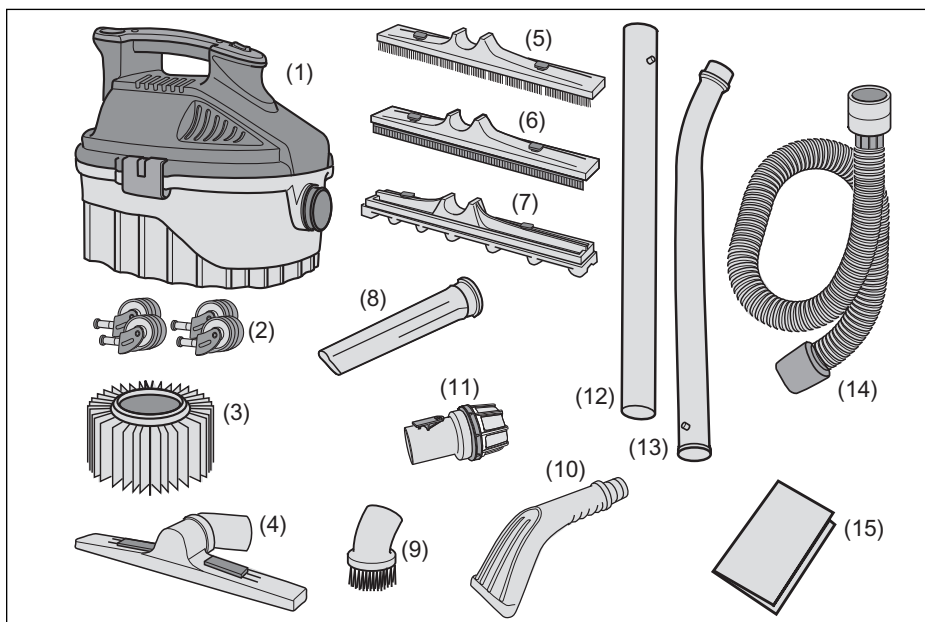
Consulte el artículo número 17 de las "Instrucciones importantes de seguridad."

El tipo de recubrimiento del cordón de alimentación debe ser SJTW o mejor.

## CONTENIDO DE LA CAJA DE CARTÓN

### GENERALIDADES

- Aspiradora para mojado/seco de 4 galones (1)
- 4 ruedecillas (2)
- Filtro de cartucho para polvo fino Qwik Lock™ (3)
- Herramienta maestra para pisos (4)
- Inserto de cepillo para pisos (5)
- Inserto de barredora de goma (6)
- Inserto para alfombra (7)
- Boquilla rinconera (8)
- Cepillo para polvo (9)
- Boquilla de garra (10)
- Difusor (11)
- Tubo extensor recto (12)
- Tubo extensor curvo (13)
- Ensamblaje de la manguera (14)
- Manual del usuario (15)

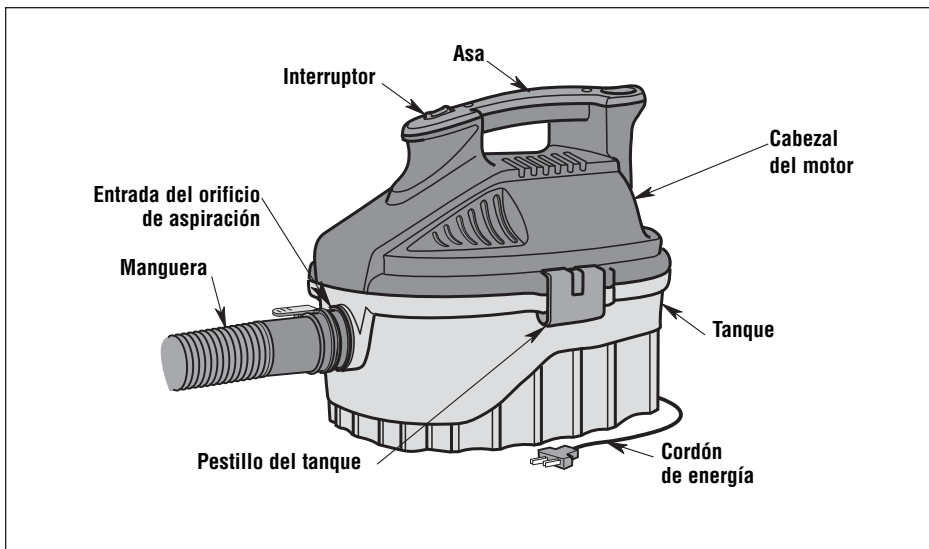


# PREPARACIÓN PARA LA UTILIZACIÓN

## INICIACIÓN

Esta aspiradora para mojado/seco está diseñada para uso comercial. Se puede utilizar para operaciones de aspiración ligera de materiales mojados o secos, y se puede emplear como soplador. El diseño ligero permite su utilización para realizar la mayoría de tareas de aspiración pequeñas. Familiarícese con el siguiente producto y sus características, y lea todo el manual para conocer el uso específico de su nueva aspiradora para mojado/seco.

Familiarícese con los controles y las características de su aspiradora para mojado/seco antes de utilizarla (*Figura A*).



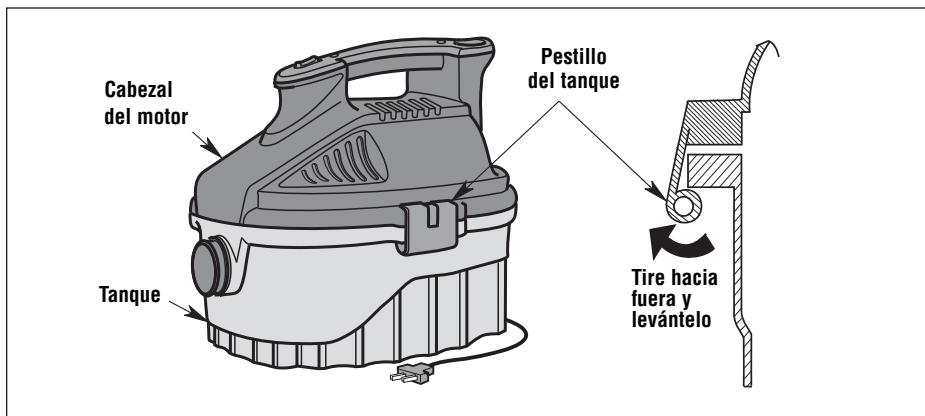
*Figura A*

## ENSAMBLAJE/REEMPLAZO DEL FILTRO

**▲ ADVERTENCIA:** Para su propia seguridad, no conecte nunca el enchufe a un tomacorriente de la fuente de alimentación hasta que se hayan completado todos los pasos de ensamblaje y usted haya leído y entendido las instrucciones de seguridad y utilización. No utilice la aspiradora si alguna pieza está dañada o falta.

### Para retirar el cabezal del motor:

1. Agarre los pestillos del tanque ubicados en tanto en el lado derecho como en el lado izquierdo del cabezal del motor. Jale lentamente los pestillos del tanque alejándolos del éste. Levante el cabezal del motor hasta separarlo del tanque. (*Figura B*).



*Figura B*

## ENSAMBLAJE/REEMPLAZO DEL FILTRO (cont.)

**▲ ADVERTENCIA:** No utilice la aspiradora sin la jaula del filtro y el flotador, ya que estas piezas evitan que entre líquido en el impulsor y dañe el motor.

**IMPORTANTE:** Para evitar daños a la rueda del soplador, reinstale siempre el filtro antes de utilizar la aspiradora para recoger materiales secos.

### Remoción e instalación del filtro de cartucho para polvo fino Qwik Lock™

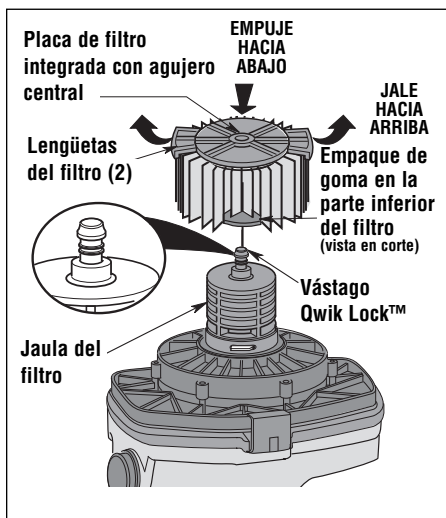
#### Remoción del filtro:

1. Sostenga las lengüetas del filtro Qwik Lock en cada mano (*Figura C*).
2. Con un dedo pulgar en el vástago Qwik Lock, que sobresale a través de la placa del filtro integrada, levante las lengüetas del filtro a la vez que empuja hacia abajo sobre el vástago.
3. Esta acción hará que el filtro se suelte de la jaula del filtro. Deslice el filtro hasta retirarlo de la jaula.

#### Instalación del filtro:

1. Deslice cuidadosamente el filtro Qwik Lock sobre la jaula del filtro y presione hacia abajo sobre el borde exterior del filtro hasta que el empaque de goma ubicado en la parte inferior del filtro se asiente firmemente alrededor de la base de la jaula del filtro y contra la tapa.
2. Alinee el agujero central pequeño ubicado en la parte superior del filtro sobre el vástago Qwik Lock™ ubicado en la jaula del filtro. Presione firmemente sobre la parte de arriba del filtro cerca del vástago, para permitir que el filtro se acople a presión sobre la bola ubicada en el extremo del vástago. Una vez hecho esto, el filtro estará instalado.

**NOTA:** Si no se asienta apropiadamente el empaque inferior, el resultado podría ser que los residuos pasen por alto el filtro.



*Figura C*

# UTILIZACIÓN

## ▲ ADVERTENCIA - Para reducir el riesgo de incendio, explosión o daños a la aspiradora:

- No deje la aspiradora en marcha mientras esté desatendida. Usted podría no notar señales importantes que indiquen un funcionamiento anormal, tal como pérdida de succión, residuos o líquido que salen por el escape o ruidos anormales del motor. Deje de usar la aspiradora inmediatamente si observa estas señales.
- No deje la aspiradora enchufada cuando no se esté utilizando.
- No continúe usando la aspiradora cuando el flotador haya cortado la succión.
- No utilice la aspiradora en áreas con gases inflamables, vapores inflamables o polvo explosivo en el aire. Las chispas generadas dentro del motor pueden incendiar los materiales inflamables suspendidos en el aire. Los gases inflamables y los vapores inflamables incluyen: líquido encendedor, limpiadores tipo solvente, pinturas a base de aceite, gasolina, alcohol o rociadores tipo aerosol. Los polvos inflamables incluyen: polvo de carbón, polvo de magnesio, polvo de aluminio, polvo de grano de cereal o pólvora.
- No recoja con la aspiradora polvos explosivos, líquidos inflamables ni cenizas calientes.
- No use la aspiradora como un rociador.

## ▲ ADVERTENCIA - Para reducir el riesgo de descargas eléctricas o lesiones:

- No exponga la aspiradora a la lluvia ni deje que entre líquido en el compartimiento del motor. Almacene la aspiradora en un lugar interior.
- No maneje el enchufe, el interruptor o la aspiradora con las manos mojadas.
- No haga servicio de ajustes y reparaciones de la aspiradora mientras esté enchufada. Si la aspiradora no está funcionando como debería, le faltan piezas, se ha caído, está dañada, se ha dejado a la intemperie o se ha caído al agua, devuélvala a un centro de servicio independiente o llame a servicio al cliente.
- Cuando utilice un cordón de extensión, utilice únicamente cordones con capacidad nominal para uso a la intemperie que estén en buenas condiciones. No deje que la conexión entre en contacto con líquido.
- No recoja con la aspiradora materiales tóxicos, para reducir el riesgo de inhalar los vapores o el polvo.

Para reducir el riesgo de sacudidas eléctricas, esta aspiradora tiene un enchufe polarizado (una hoja es más ancha que la otra). Este enchufe entrará en un tomacorriente polarizado solamente de una manera. Si el enchufe no entra por completo en el tomacorriente, déle la vuelta. Si sigue sin entrar, póngase en contacto con un electricista competente para instalar el tomacorriente adecuado. No haga ningún tipo de cambio en el enchufe.

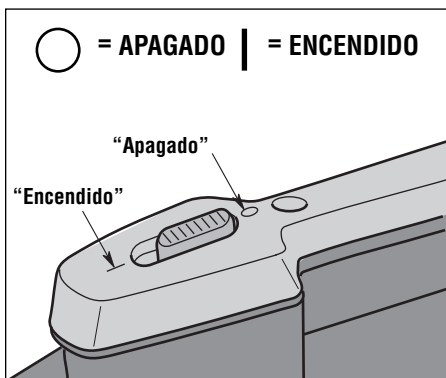


Figura D

Después de enchufar el cordón de energía en el tomacorriente, encienda la unidad empujando el interruptor de la posición "O" a la posición "|". Los símbolos utilizados en el accionador del interruptor son los símbolos internacionales de "encendido y apagado" (Figura D).

---

## UTILIZACIÓN (continuación)

---

### Recogida de materiales secos con la aspiradora

1. El filtro debe estar siempre en la posición correcta para reducir el riesgo de fugas y posibles daños a la aspiradora.
2. Cuando utilice la aspiradora para recoger polvo muy fino, será necesario que usted vacíe el tanque y limpie el filtro a intervalos más frecuentes para mantener un rendimiento óptimo de la aspiradora.

**NOTA:** Se necesita un filtro seco para recoger material seco. Si utiliza la aspiradora para recoger polvo cuando el filtro está mojado, éste se atascará rápidamente y será muy difícil limpiarlo.

**▲ ADVERTENCIA:** No utilice la aspiradora sin la jaula del filtro y el flotador, ya que estas piezas evitan que entre líquido en el impulsor y dañe el motor. Para recoger material seco, no utilice la aspiradora sin tener colocado el filtro en su sitio, para reducir el riesgo de daños al motor.

### Recogida de líquidos con la aspiradora

1. Al recoger pequeñas cantidades de líquido se podrá dejar puesto el filtro.
2. Al recoger grandes cantidades de líquido recomendamos quitar el filtro. Si no se quita el filtro, éste se saturará y podrá aparecer niebla en el escape.
3. Cuando el líquido contenido en el tanque alcance un nivel predeterminado, el mecanismo del flotador subirá automáticamente para cortar el flujo de aire. Usted sabrá que el flotador ha subido porque la succión parará y el ruido del motor alcanzará una frecuencia más alta, debido al aumento de la velocidad del motor. Cuando esto ocurra, apague la aspiradora y vacíe el tanque.
4. Después de utilizar la aspiradora para recoger líquidos, deje que el filtro se seque para reducir el riesgo de que se forme moho y el filtro se dañe.

**IMPORTANTE:** Para reducir el riesgo de daños a la aspiradora, no tenga en marcha el motor con el flotador en la posición elevada.

## UTILIZACIÓN (continuación)

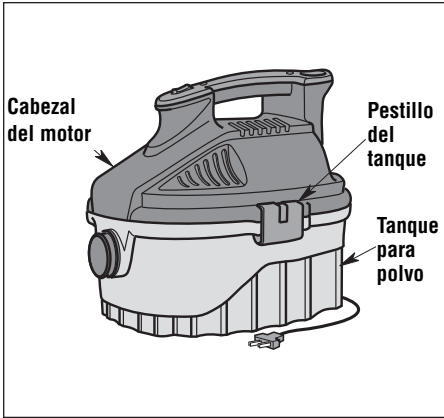


Figura E

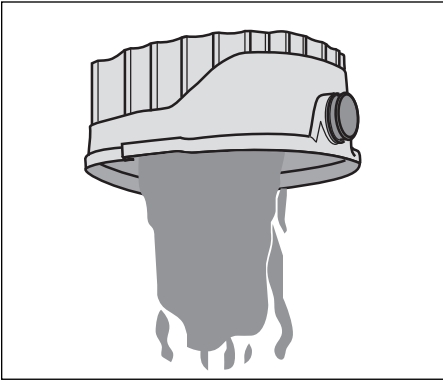


Figura F

### Vaciado del tanque

1. Para retirar la tapa con el fin de vaciar el tanque de su contenido, simplemente levante los dos pestillos del tanque ubicados en un lado de la aspiradora, levante el cabezal del motor para separarlo del tanque y póngalo a un lado (Figura E).
2. Ponga el cabezal del motor en un área limpia y seca mientras vacía el tanque o cambia el filtro.
3. Vierta el contenido del tanque en el recipiente de eliminación de residuos apropiado (Figura F).

### Dispositivo de soplado

La aspiradora para mojado/seco tiene capacidad para utilizarse como soplador con el fin de realizar trabajo de jardín, limpieza de patios y aplicaciones de taller para soplar aserrín y otros residuos.

**NOTA:** El orificio de soplado está ubicado en posición opuesta al orificio de aspiración.

**▲ ADVERTENCIA** - Use siempre protectores oculares de seguridad que cumplan con la norma ANSI Z87.1 (o en Canadá, con la norma CSA Z94.3) antes de utilizar la aspiradora como soplador.

**▲ ADVERTENCIA** - Para reducir el riesgo de lesiones a las personas que estén presentes, manténgalas alejadas de los residuos soplados.

**▲ PRECAUCIÓN** - Use una máscara antipolvo, por ejemplo una máscara N95 ó P100, si el soplado genera polvo que podría ser inhalado.

**▲ PRECAUCIÓN** - Para reducir el riesgo de daños a la audición, use protectores de oídos cuando utilice la aspiradora/soplador durante muchas horas seguidas o cuando la utilice en un área ruidosa.

## ALMACENAMIENTO DEL CORDÓN

1. Su aspiradora tiene una conveniente área para almacenar el cordón de energía.
2. Enrolle el cordón de energía alrededor de la parte de arriba del asa de la aspiradora y sujete el extremo del enchufe al cordón (Figura G).
3. La manguera incluida con este producto no se almacena alrededor del asa. Almacene la manguera por separado en un lugar seguro, cerca de la aspiradora para mojado/seco.

### Mantenimiento del cordón

Cuando se haya completado la limpieza con la aspiradora, desenchufe el cordón y enróllelo alrededor de la cubierta del motor. Si el cordón de energía está dañado, debe ser reemplazado por personal calificado, para reducir el riesgo de accidente.

### Almacenamiento

Antes de almacenar la aspiradora, se debe vaciar y limpiar el tanque. El cordón de energía se debe enrollar alrededor de la unidad. Los accesorios se deben mantener en la misma área que la aspiradora para que estén al alcance de la mano cuando se necesiten. La aspiradora se debe almacenar en interiores.

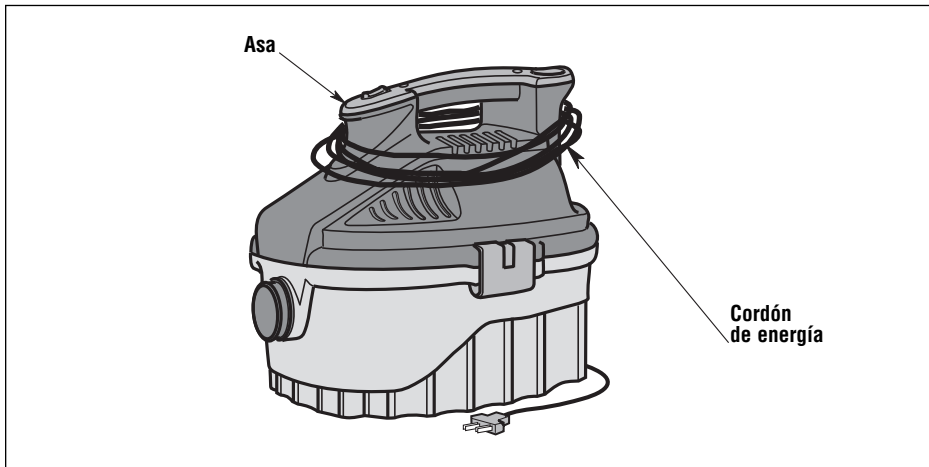


Figura G



---

# MANTENIMIENTO

---

## Limpieza del filtro de la aspiradora

**Nota:** Este filtro está hecho de papel de alta calidad diseñado para detener partículas de polvo muy pequeñas. El filtro se puede usar para recoger material seco o pequeñas cantidades de líquido. Maneje cuidadosamente el filtro cuando lo retire o lo instale. Es posible que se produzcan arrugas en los pliegues del filtro, pero dichas arrugas no afectarán el funcionamiento del filtro.

## Remoción del filtro

Consulte la Sección "Ensamblaje/Reemplazo del filtro" en la página 28 de este manual.

**IMPORTANTE:** Para evitar daños a la rueda del soplador y al motor, vuelva a instalar siempre el filtro antes de usar la aspiradora para recoger material seco.

## Limpieza de un filtro seco

**NOTA:** Limpie el filtro en un área abierta. La limpieza se DEBE hacer al aire libre.

1. Se puede lograr una extracción parcial de residuos sin quitar el filtro de la aspiradora. Golpee la parte superior de la tapa con la mano mientras la aspiradora está apagada.
2. Después de quitar el filtro de la aspiradora, golpee suavemente el filtro contra la pared interior del tanque y los residuos se soltarán y caerán. Los residuos se soltarán y caerán.
3. Para una limpieza a fondo del filtro seco con polvo fino (sin residuos), haga pasar agua a través del filtro tal como se describe bajo "Limpieza de un filtro mojado".

## Limpieza de un filtro mojado

Después de quitar el filtro, haga pasar agua a través de él usando una manguera o desde una espita. Tenga cuidado de que la presión del agua procedente de la manguera no sea tan fuerte como para dañar el filtro.

**IMPORTANTE:** Después de limpiar el filtro, compruebe si éste tiene desgarraduras o agujeros pequeños. No use un filtro que tenga agujeros o desgarraduras. Incluso un agujero pequeño puede hacer que se salga mucho polvo de la aspiradora. **Cámbielo inmediatamente.**

## MANTENIMIENTO (continuación)

### Limpieza y desinfección de la aspiradora para mojado/seco

Para mantener el mejor aspecto posible de la aspiradora para mojado/seco, limpie su exterior con un paño humedecido con agua templada y un jabón suave (Figura H).

Para limpiar el tanque:

1. Vierta los residuos.
2. Lave completamente el tanque con agua templada y un jabón suave.
3. Limpie el tanque con un paño seco.

Antes de un almacenamiento prolongado o según sea necesario (por ejemplo, si se recogen aguas residuales), se debe desinfectar el tanque.

Para desinfectar el tanque:

1. Eche 1 galón de agua y 1 cucharadita de blanqueador de cloro en el tanque.
2. Deje que la solución repose durante 20 minutos y agítela cuidadosamente cada pocos minutos, asegurándose de mojar todas las superficies interiores del tanque.
3. Vacíe el tanque después de 20 minutos. Enjuáguelo con agua hasta que el olor a blanqueador desaparezca. Deje que el tanque se seque completamente antes de sellar el motor sobre el tanque.

**▲ ADVERTENCIA** - Para garantizar la SEGURIDAD y CONFIABILIDAD del producto, las reparaciones y los ajustes deben realizarlos Centros de Servicio autorizados, usando siempre piezas de repuesto ProTeam.

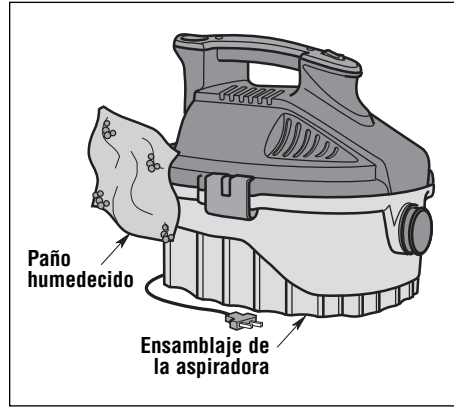


Figura H

---

## MANTENIMIENTO PREVENTIVO

---

### ▲ ADVERTENCIA:

La siguiente información tiene como fin ser utilizada solamente por personal de servicio calificado y ofrece orientación para realizar resolución de problemas y mantenimiento.

- **Desenchufe** la aspiradora cuando trabaje en el motor o en cualquier pieza eléctrica.
- **NO** lubrique el motor.
- **NO** ate juntos el cordón de extensión y el cordón de alimentación . Si los ata, el resultado será daños a ambos cables y dichos daños no estarán cubiertos bajo la garantía.

### CUIDADO DE LA ASPIRADORA

1. Para asegurarse de que la garantía de la aspiradora sea válida, así como de lograr un rendimiento óptimo y una mejor calidad del aire interior, asegúrese de utilizar filtros ProTeam genuinos.
2. Compruebe todos los filtros antes de cada uso. Vacíe o reemplace los filtros según sea necesario.
3. Limpie con un paño el interior y el exterior de la aspiradora empleando un agente limpiador después de cada uso.

### ALMACENAMIENTO APROPIADO

Cuando la aspiradora no esté en uso, se debe almacenar en un lugar interior y seco. Antes de almacenar la aspiradora, se debe vaciar y limpiar el tanque. El cordón de alimentación se debe enrollar alrededor de la unidad y la manguera y los accesorios se deben almacenar de la manera que se describe en este manual. Los accesorios se deben mantener en la misma área que la aspiradora, para que puedan estar disponibles de inmediato.

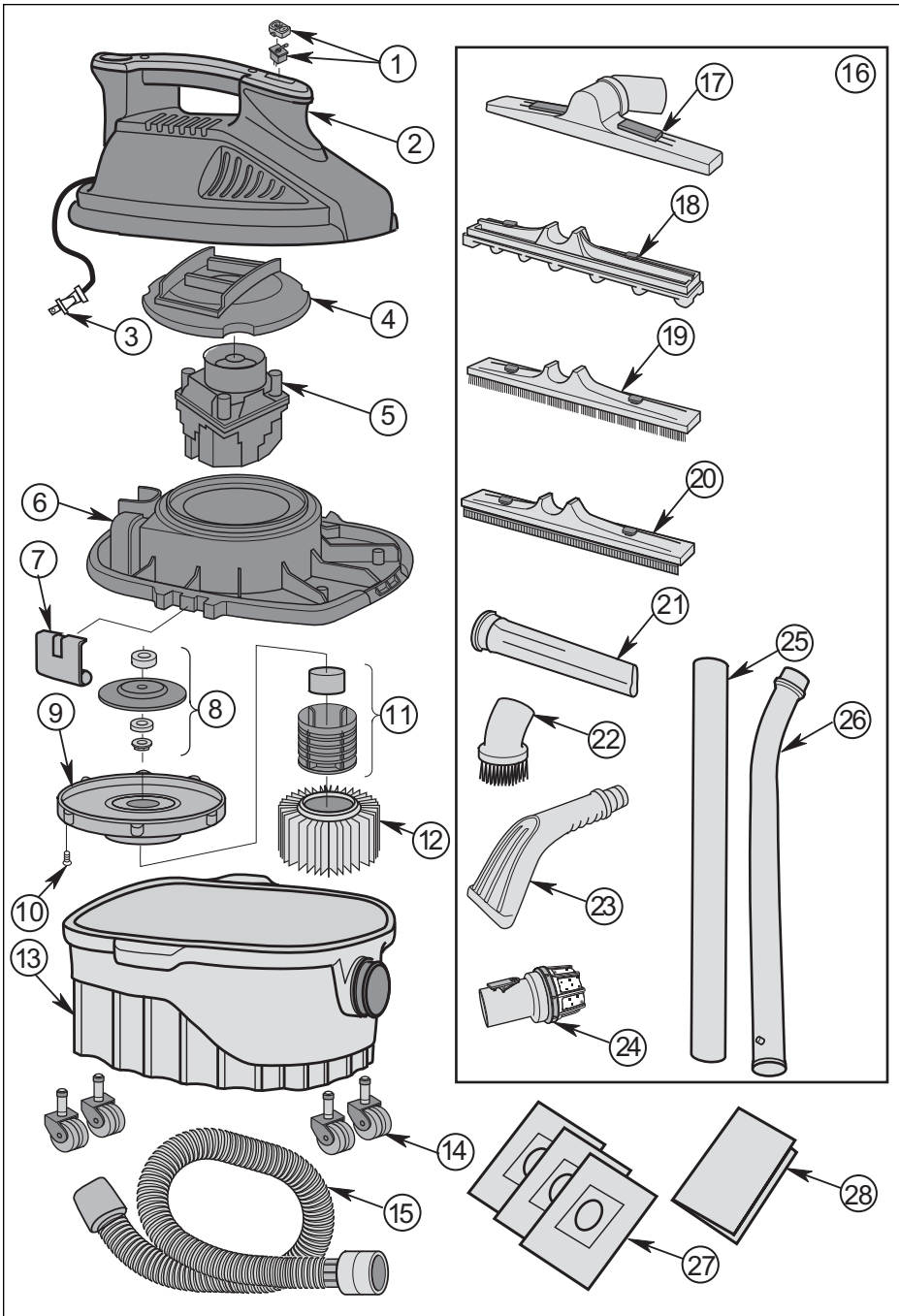
---

## RESOLUCIÓN DE PROBLEMAS

---

1. Si la aspiradora no funciona, compruebe lo siguiente:
  - a. El cordón de alimentación eléctrica en el tomacorriente de la pared
  - b. El cordón de alimentación eléctrica en la aspiradora
  - c. Que el interruptor esté en la posición de "encendido" y funcione correctamente
  - d. Confirme que el tomacorriente de pared que se esté utilizando tenga corriente. Compruebe el cortacircuitos del edificio. Si ése no es el problema, contacte a una Estación de Garantía Autorizada de ProTeam.
2. Si el cordón de alimentación se calienta demasiado, asegúrese de que dicho cable no exceda una longitud de 50 pies en el caso de ser de calibre 14 ó 100 pies en el caso de ser de calibre 12.
3. Si ocurre una pérdida de succión, compruebe lo siguiente:
  - a. Compruebe que no haya residuos obstruyendo la manguera y/o los accesorios.
  - b. Compruebe y/o limpie el filtro plisado.
  - c. Compruebe que los manguitos de la manguera estén encajando firmemente en la manguera y no estén agrietados.
  - d. Compruebe que el cabezal del motor está instalado correctamente en el tanque de la aspiradora.

# ENSAMBLAJE DE LA PROGUARD® 4 PORTÁTIL




# PIEZAS DE REPUESTO DE LA PROGUARD® 4 PORTÁTIL

## Ensamblaje de piezas de repuesto

ProGuard® 4 portátil			
NO. DE PEDIDO		CANT.	
1	510123	Interruptor y cubierta del interruptor (juego)	1 de cada
2	510107	Cubierta del motor y asa superior	1 de cada
3	829714-1	Ensamblaje del cordón de alimentación	1 de cada
4	830519	Conducto de escape	1 de cada
5	509776-19	Ensamblaje del motor (incluye el número 8)	1 de cada
6	830520-2	Tapa	1 de cada
7	826387	Pestillo del tanque	2 de cada
8	510124	Separador, rueda del soplador, arandela, tuerca	1 de cada
9	832656-1	Colector de placa	1 de cada
10	820563-4	Tornillo tipo AB No. 10 x 3/4 de pulgada	7 de cada
11	510108	Ensamblaje de jaula del filtro y flotador	1 de cada
12	107178	Filtro de cartucho para polvo fino Qwik Lock™	1 de cada
13	510106	Tanque (con entrada)	1 de cada
14	510109	Ruedecilla (juego de of 4)	1 de cada
15	831337-6	Ensamblaje de manguera de alta calidad	1 de cada
16	107184	Juego de accesorios (Incluye: 17-26)	1 de cada
17	107189	Herramienta maestra para pisos	1 de cada
18	107191	Inserto para alfombra	1 de cada
19	107192	Inserto de cepillo para pisos	1 de cada
20	107193	Inserto de escobilla barredora de goma	1 de cada
21	107194	Boquilla rinconera	1 de cada
22	107195	Cepillo para polvo	1 de cada
23	107196	Boquilla de garra	1 de cada
24	830098	Difusor	1 de cada
25	107190	Tubo extensor recto	1 de cada
26	107188	Tubo extensor curvo	1 de cada
27	107182	Bolsa de filtro Intercept Micro® – paquete de 3 (opcional)	1 de cada
28	SP6768	Manual del usuario	1 de cada

### ▲ ADVERTENCIA

#### SERVICIO DE AJUSTES Y REPARACIONES DE UNA ASPIRADORA PARA MOJADO/SECO CON AISLAMIENTO DOBLE

En una aspiradora para mojado/seco con aislamiento doble se proporcionan dos sistemas de aislamiento en vez de conexión a tierra. No se proporciona ningún medio de conexión a tierra en un aparato electrodoméstico con aislamiento doble, ni se debe añadir a éste ningún medio de conexión a tierra. El servicio de ajustes y reparaciones de una aspiradora para mojado/seco con aislamiento doble requiere extremado cuidado y conocimiento del sistema, y debe ser realizado únicamente por personal de servicio competente. Las piezas de repuesto para la aspiradora para mojado/seco con aislamiento doble deben ser idénticas a las piezas que reemplazan. La aspiradora para mojado/seco con aislamiento doble está marcada con las palabras "DOUBLE INSULATED" (con aislamiento doble) y puede que el símbolo  (un cuadrado dentro de un cuadrado) también esté marcado en los aparatos.

Para reducir el riesgo de lesiones por causa de descargas eléctricas, desenchufe el cordón de energía antes de hacer servicio de ajustes y reparaciones a las piezas eléctricas de la aspiradora para mojado/seco.

# GARANTÍA DE LA PROGUARD®4 PORTÁTIL

Esta garantía limitada se aplica a las siguientes aspiradoras comerciales para mojado/seco ProGuard® de ProTeam, Inc. (colectivamente, los "Productos ProGuard"): ProGuard 4.

Si tiene preguntas o necesita asistencia en relación con la garantía de su producto, sírvase llamar al departamento de Servicio al Cliente de ProTeam al (866) 888-2168 de 7:30 a.m. a 5:00 p.m. Hora de la Montaña.

## ProGuard®- Garantía limitada

ProTeam, Inc., radicada en 12438 W. Bridger Street, Boise, Idaho 83713 ("ProTeam"), garantiza al comprador original solamente ("usted"), sujeto a las exclusiones que se describen a continuación, que las piezas componentes y los motores del Producto ProGuard que se mencionan a continuación estarán libres de defectos de material y de fabricación comenzando en la fecha de compra original y continuando durante el período establecido a continuación (cada uno un "Período de Garantía"). Esta garantía limitada finaliza si el comprador original transfiere el Producto ProGuard a cualquier otra persona o entidad.

### Garantías de las piezas para todos los Productos ProGuard

- Piezas moldeadas en la carcasa de todos los Productos ProGuard: El tiempo de vida útil esperado para el Producto ProGuard.
- Todas las demás piezas componentes (excluyendo el motor) de todos los Productos ProGuard: 3 años.

### Garantías del motor específicas para cada Producto ProGuard

- ProGuard 4 - Motor de la aspiradora: 1 año.

### Lo que no está cubierto: Exclusiones de la garantía

Esta garantía limitada no se extiende a lo siguiente y expresamente excluye:

- Aditamentos o accesorios que se desgastan por el uso normal y/o de reemplazo, incluyendo, sin limitación, cordones de extensión, mangueras, filtros, interruptores, escobillas de carbono del motor y otros aditamentos del Producto ProGuard.
- Daños o quemadura del motor del Producto ProGuard que se produzcan como resultado de no despejar una obstrucción que ocurra durante el curso del uso normal.
- Pérdida o daños al Producto ProGuard que se produzcan como resultado de condiciones que estén más allá del control de ProTeam, incluyendo sin limitación, uso incorrecto, accidente, abuso, descuido, negligencia (que no sea por parte de ProTeam), sobreuso más allá de la capacidad prevista o modificación o alteración no autorizada.
- Pérdida o daños al Producto ProGuard que se produzcan como resultado de no seguir el programa de mantenimiento requerido, o como consecuencia de no usar el Producto ProGuard de acuerdo con las instrucciones escritas de ProTeam, sus pautas o los términos del manual del usuario.

### Lo que haremos para corregir los problemas

Si un reclamo hecho durante el Período de Garantía está cubierto bajo esta garantía limitada, ProTeam o su distribuidor autorizado local de ProTeam, a opción exclusiva de ProTeam, (a) reparará la porción defectuosa del Producto ProGuard o (b) reemplazará el Producto ProGuard completo. EL REMEDIO ÚNICO Y EXCLUSIVO POR EL INCUMPLIMIENTO DE ESTA GARANTÍA LIMITADA ESTARÁ LIMITADO A LA REPARACIÓN O EL REEMPLAZO DEL PRODUCTO PROGUARD.

### No se aplica ninguna otra garantía expresa

LAS GARANTÍAS LIMITADAS PROVISTAS ARRIBA SON LAS GARANTÍAS ÚNICAS Y EXCLUSIVAS PROVISTAS POR PROTEAM AL COMPRADOR ORIGINAL Y SUSTITUYEN A TODAS LAS DEMÁS GARANTÍAS, ESCRITAS U ORALES, EXPRESAS O IMPLÍCITAS, TANTO SI SURGEN POR LA EJECUCIÓN DE LA LEY COMO DE OTRA MANERA, INCLUYENDO, SIN LIMITACIÓN, LAS GARANTÍAS DE COMERCIALIZACIÓN O IDONEIDAD PARA UN PROPÓSITO ESPECÍFICO, TANTO SI EL PROPÓSITO HA SIDO REVELADO COMO SI NO LO HA SIDO, Y TANTO SI EL PRODUCTO PROGUARD HA SIDO COMO SI NO HA SIDO DISEÑADO O FABRICADO ESPECÍFICAMENTE PARA EL USO POR USTED O PARA EL PROPÓSITO QUE USTED TENGA. Ningún empleado, agente, distribuidor u otra persona está autorizado a alterar esta garantía limitada o dar cualquier otra garantía en nombre de ProTeam. Los términos de esta garantía limitada no serán modificados por ProTeam, el propietario original ni sus respectivos sucesores o cesionarios.

# GARANTÍA DE LA PROGUARD®4 PORTÁTIL

## Cómo notificarnos

Si descubre que su Producto ProGuard tiene un defecto que cree que está cubierto por esta garantía limitada, debe notificar a ProTeam o al distribuidor autorizado de ProTeam que le vendió el Producto ProGuard dentro del Período de Garantía aplicable. Usted puede ponerse en contacto con el departamento de Servicio al Cliente de ProTeam llamando al (866) 888-2168 entre las horas de 7:30 a.m. y 5:00 p.m. Hora de la Montaña o a cualquier hora a través del número de fax o la dirección de correo electrónico que se indican en el manual del usuario o en nuestro sitio Web. Para que se procese un reclamo bajo garantía lo antes posible, le sugerimos que complete la "Tarjeta de registro (Registration Card)" que está a su disposición en el sitio Web de ProTeam en [www.pro-team.com](http://www.pro-team.com). Si opta por no registrar su Producto ProGuard, para hacer un reclamo bajo garantía necesitará proporcionar una copia de su recibo de venta u otro comprobante de compra que muestre la fecha de compra a ProTeam o su distribuidor autorizado local de ProTeam.

## Procedimientos de reparación y reemplazo

Sírvase llamar al número del departamento de Servicio al Cliente indicado más arriba o visitar el sitio Web de ProTeam para localizar al distribuidor autorizado de ProTeam más cercano a usted. Si no hay un distribuidor autorizado local de ProTeam, nuestro departamento de Servicio al Cliente le dará el nombre y la dirección del representante de servicio de campo más cercano o le dará instrucciones para enviar su Producto ProTeam al centro de reparaciones de ProTeam. ProTeam o su distribuidor autorizado local de ProTeam determinará si su reclamo está cubierto bajo esta garantía limitada, sujeto a las limitaciones o exclusiones descritas en esta garantía limitada, o si ha excedido el Período de Garantía aplicable. Su distribuidor autorizado local de ProTeam reparará su Producto ProGuard, enviará su Producto ProGuard al centro de reparaciones del distribuidor o de ProTeam, o contactará a ProGuard para obtener un Producto ProGuard de reemplazo. La decisión de reemplazar su Producto ProGuard se tomará bajo la discreción exclusiva de ProTeam. Las reparaciones o modificaciones realizadas al Producto ProGuard por alguien ajeno a ProTeam, el centro de reparaciones autorizado de ésta o un distribuidor autorizado local anularán esta garantía limitada. La cobertura bajo esta garantía limitada está condicionada en todo momento a que el comprador original cumpla con estos procedimientos requeridos de notificación y reparación.

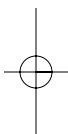
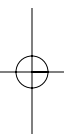
## Limitación de responsabilidad

EN LA MEDIDA PERMITIDA POR LA LEY, PROTEAM NO SERÁ RESPONSABLE EN NINGÚN CASO POR DAÑOS INCIDENTALES, ESPECIALES, INDIRECTOS O EMERGENTES, INCLUYENDO CUALQUIER PÉRDIDA ECONÓMICA, TANTO SI SON EL RESULTADO DE UN RENDIMIENTO DEFICIENTE COMO DE UTILIZACIÓN, USO INCORRECTO O INCAPACIDAD PARA UTILIZAR EL PRODUCTO PROGUARD O NEGLIGENCIA POR PARTE DE PROTEAM. EL VENDEDOR NO SERÁ RESPONSABLE POR LOS DAÑOS CAUSADOS POR UNA DEMORA EN LA EJECUCIÓN Y EN NINGÚN CASO, INDEPENDIEMENTE DE LA FORMA DEL RECLAMO O LA CAUSA DE ACCIÓN (TANTO SI SE BASA EN CONTRATO, COMO EN INCUMPLIMIENTO, NEGLIGENCIA, RESPONSABILIDAD ESTRICTA, OTRO AGRAVIO O ALGUNA OTRA COSA), EXCEDERÁ LA RESPONSABILIDAD DE PROTEAM ANTE EL COMPRADOR Y/O SUS CLIENTES EL PRECIO PAGADO POR EL PROPIETARIO ORIGINAL DEL PRODUCTO PROGUARD. La expresión "daños emergentes" incluirá, pero no estará limitada a, pérdida de utilidades previstas, interrupción del negocio, pérdida de uso o ingresos, costo de capital o pérdida o daños a bienes o equipos.

Algunos estados no permiten la exclusión o limitación de los daños incidentales o emergentes, por lo que es posible que la limitación que antecede no tenga aplicación en el caso de usted.

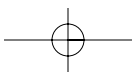
Esta garantía limitada le confiere a usted derechos legales específicos y es posible que usted tenga también otros derechos que varían de un estado a otro.

ProTeam, ProGuard, Intercept Micro y Qwik Lock son marcas comerciales de Emerson.



ProTeam, Inc.  
customerservice.proteam@emerson.com  
P.O. Box 7385, Boise, ID 83707  
866.888.2168

**Impreso en 12/11**

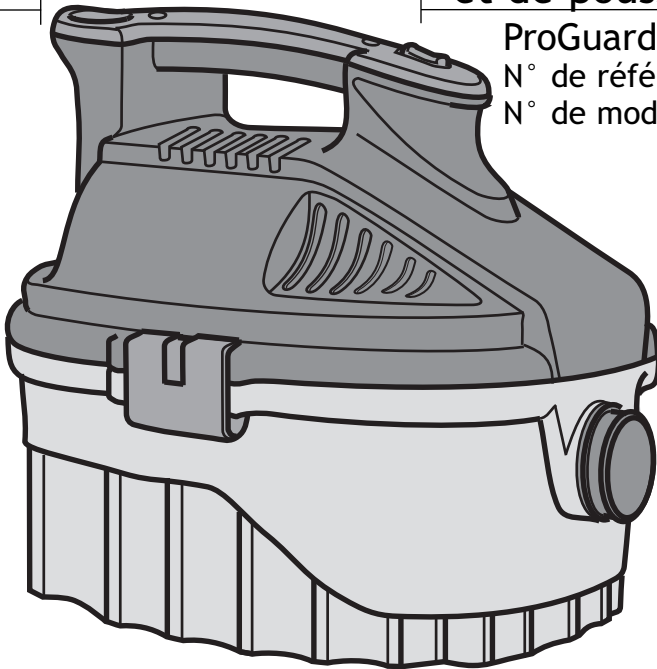




## MODE D'EMPLOI

Aspirateur de liquides  
et de poussières

ProGuard®4 Portable  
N° de référence : 107128  
N° de modèle : 1071280



F  
R  
A  
N  
Ç  
A  
I  
S

 **ProTeam**<sup>®</sup>  
The Vacuum Company

# TABLE DES MATIÈRES

## **ProGuard® 4 Portable, Aspirateur de liquides et de poussières de 4 gallons**

Consignes de sécurité pour l'aspirateur. . . . .	43
Contenu du carton. . . . .	45
Préparation pour le fonctionnement. . . . .	46
Montage/remplacement du filtre. . . . .	47
Fonctionnement. . . . .	49
Rangement du cordon d'alimentation. . . . .	52
Maintenance du filtre. . . . .	53
Maintenance préventive. . . . .	55
Dépannage. . . . .	55
Montage de l'aspirateur portable ProGuard®4. . . . .	56
Liste des pièces de l'aspirateur portable ProGuard®4. . . . .	57
Entretien des aspirateurs de liquides et de poussières à double isolation. . . . .	57
Garantie limitée. . . . .	58
English. . . . .	1
Español. . . . .	21

Allez à [www.pro-team.com](http://www.pro-team.com) pour faire enregistrer votre nouvel aspirateur.

### **INSPECTION**

Déballez et inspectez attentivement votre nouvel aspirateur ProTeam pour vous assurer qu'il n'a pas été endommagé pendant l'expédition. Chaque chargeur est testé et inspecté soigneusement avant l'expédition. Tous les produits renvoyés doivent être accompagnés par un Numéro d'autorisation de retour (NAR). Pour demander un NAR ou pour poser des questions en cas de dommage subi pendant le transport, contactez ProTeam au 866.888.2168 ou à [customerservice.proteam@emerson.com](mailto:customerservice.proteam@emerson.com).

Ce mode d'emploi contient des renseignements importants pour l'utilisation et le fonctionnement sans danger de cette machine. Lisez attentivement ces instructions avant de commencer à vous servir de cette machine. Gardez ce mode d'emploi à portée de la main à tout moment et demandez à tous les propriétaires de le lire. Si les instructions ne sont pas respectées, il y aurait des risques de blessures aux personnes ou d'endommagement de matériel, de mobilier ou de bâtiments.

Pour obtenir de nouveaux modes d'emploi, veuillez contacter ProTeam, Inc. à : [customerservice.proteam@emerson.com](mailto:customerservice.proteam@emerson.com)  
P. O. Box 7385, Boise, ID 83707 (É.-U.)  
866.888.2168, ou visitez [pro-team.com](http://pro-team.com) pour obtenir une version téléchargeable.

Le contenu de ce mode d'emploi est basé sur les informations disponibles les plus récentes sur le produit au moment de la publication. ProTeam se réserve le droit d'apporter des modifications ou des améliorations à ses machines sans préavis.

**E  
N  
G  
L  
I  
S  
H**

**E  
S  
P  
A  
Ñ  
O  
L**

**F  
R  
A  
N  
Ç  
A  
I  
S**

# INSTRUCTIONS IMPORTANTES RELATIVES À LA SÉCURITÉ

La sécurité est une combinaison de bon sens, de rester alerte et de savoir comment votre aspirateur de liquides et de poussières (l'« aspirateur ») fonctionne.

## Termes de signalisation de questions de sécurité

**▲ DANGER** : indique une situation dangereuse qui, si elle n'est pas évitée, causera la mort ou une blessure grave.

**▲ AVERTISSEMENT** : indique une situation dangereuse qui, si elle n'est pas évitée, risque de causer la mort ou une blessure grave.

**▲ MISE EN GARDE** : indique une situation dangereuse qui, si elle n'est pas évitée, pourrait causer une blessure légère ou modérée.

Prenez toujours des précautions élémentaires, notamment les précautions suivantes, lorsque vous utilisez votre aspirateur de liquides et de poussières :

## **▲ AVERTISSEMENT** : Pour réduire le risque d'incendie, de choc électrique ou de blessure:

1. Lisez et comprenez ce manuel et toutes les étiquettes placées sur l'aspirateur avant de mettre celui-ci en marche.
2. N'utilisez l'aspirateur que comme cela est décrit dans ce mode d'emploi.
3. Ne laissez pas en marche pendant que vous êtes absent - vous vous risqueriez de manquer des signes importants indiquant un fonctionnement anormal, comme une perte de puissance d'aspiration, la sortie de débris ou de liquides par la bouche de soufflage d'air ou des bruits anormaux en provenance du moteur. Cessez immédiatement d'utiliser l'aspirateur si vous constatez de tels signes.
4. Ne laissez pas l'aspirateur sans surveillance quand il est branché dans une prise de courant. Débranchez-le de la prise quand il n'est pas utilisé et avant toute opération de maintenance.
5. Des étincelles à l'intérieur du moteur risquent de mettre feu à des vapeurs ou poussières inflammables. Pour réduire le risque d'incendie ou d'explosion : n'utilisez pas à proximité de gaz ou de liquides inflammables ou combustibles, ou de poussières explosives, comme de l'essence automobile ou d'autres fiouls, de l'essence à briquet, des produits de nettoyage, de la peinture à l'huile, du gaz naturel, de l'hydrogène, de la poussière de charbon, de la poussière de magnésium, de la poussière d'aluminium, de la poussière de céréales ou de la poudre.
6. N'aspirez jamais de matières en train de brûler ou des matières fumigènes, telles que des cigarettes, des allumettes ou des cendres chaudes.
7. Pour réduire le risque d'inhalation de vapeurs toxiques, n'aspirez pas de matériaux toxiques ou dangereux, et n'utilisez pas à proximité de tels matériaux.
8. Pour réduire le risque de choc électrique, n'exposez pas à la pluie et empêchez l'entrée de liquides dans le compartiment du moteur. Rangez à l'intérieur.
9. Ne laissez pas les enfants se servir de l'aspirateur comme d'un jouet. Il faut surveiller de très près quand il est utilisé par des enfants ou à proximité d'enfants.
10. N'utilisez pas avec un filtre déchiré ou sans avoir installé de filtre, sauf quand vous aspirez des liquides, comme cela est décrit dans ce mode d'emploi. Des débris secs capturés par la roue risquent d'endommager le moteur ou d'être expulsés à nouveau dans l'air ambiant.
11. Éteignez l'aspirateur avant de le débrancher.
12. Pour réduire le risque de blessure pouvant être causée par une mise en marche accidentelle, débranchez le cordon d'alimentation avant de changer le filtre ou de le nettoyer.
13. Ne débranchez pas en tirant sur le cordon. Pour débrancher, saisissez la fiche - pas le cordon.
14. N'utilisez pas l'aspirateur avec une fiche, un cordon ou un autre composant endommagé. Si votre aspirateur ne fonctionne pas comme il faut, s'il manque des pièces, s'il quelqu'un l'a laissé tomber, s'il est endommagé, s'il a été laissé à l'extérieur ou s'il est tombé dans de l'eau, téléphonez au service d'assistance à la clientèle.
15. Ne tirez pas l'aspirateur et ne le portez pas par son cordon, n'utilisez pas le cordon pour servir de poignée, ne fermez pas une porte sur le cordon et ne laissez pas le cordon tendu passer sur des bords ou des coins tranchants. Ne traînez pas l'aspirateur sur son cordon. Maintenez le cordon à distance des surfaces chauffées.
16. Ne touchez pas la fiche, l'interrupteur ou l'aspirateur avec des mains mouillées.

## CONSIGNES DE SÉCURITÉ POUR L'ASPIRATEUR (suite)

17. Utilisez seulement des cordons de rallonge qui sont conçus pour emploi à l'extérieur. Les cordons de rallonge en mauvais état ou trop petits en termes de calibre des fils peuvent poser des risques d'incendie et de choc électrique. Pour réduire le risque de tels dangers, inspectez les cordons pour vous assurer qu'ils sont en bon état et que le liquide n'entre pas en contact avec le raccordement. N'utilisez pas de cordons de rallonge dont les conducteurs ont un calibre inférieur à 16 AWG. Pour réduire la perte d'énergie, utilisez un cordon de rallonge de calibre 14 s'il mesure entre 7,5 et 15 mètres de long, ou de calibre 12 s'il mesure 15 mètres de long ou plus.
18. Cet aspirateur de liquides et de poussières a une double isolation, ce qui élimine le besoin d'un système de mise à la terre séparé. Utilisez seulement des pièces de rechange identiques. Lisez les instructions concernant l'entretien des aspirateurs de liquides et de poussières à double isolation avant toute opération d'entretien.
19. Ne mettez aucun objet dans les orifices de ventilation. N'aspirez pas quand de quelconques orifices de ventilation sont obstrués ; assurez-vous que ces orifices ne sont pas bloqués par de la poussière, de la peluche, des cheveux ou de quelconques objets pouvant réduire la circulation de l'air.
20. Gardez les cheveux, les vêtements flottants, les doigts et toutes les parties du corps à distance des orifices et des pièces mobiles.
21. Pour réduire le risque de chute, faites très attention lorsque vous utilisez l'aspirateur dans des escaliers.
22. Pour réduire le risque de blessure aux personnes ou d'endommagement de l'aspirateur, utilisez seulement des accessoires recommandés par ProTeam.
23. En cas d'utilisation de l'aspirateur comme soufflante :
  - Ne dirigez la décharge d'air que vers la zone de travail.
  - Ne déposez pas dans un liquide ; cela risquerait de causer un choc électrique.
  - Ne dirigez pas l'air vers des personnes présentes à proximité.
  - Gardez les enfants à distance lors du fonctionnement de la soufflante.
  - N'utilisez la soufflante que pour souffler des saletés et des débris.
  - N'utilisez pas en guise de pulvérisateur.
  - Portez des lunettes de sécurité.
24. Pour réduire le risque de blessure pour les yeux, portez des lunettes de sécurité. L'utilisation de toute soufflante ou de tout aspirateur utilitaire peut toujours causer la projection de corps étrangers dans les yeux, ce qui risque d'entraîner des blessures graves aux yeux.

### ▲ MISE EN GARDE :

- Pour réduire le risque de perte auditive, portez des protecteurs d'oreilles lorsque vous vous servez de l'aspirateur pendant plusieurs heures ou quand vous l'utilisez dans un endroit bruyant.
  - En cas de fonctionnement dans un environnement poussiéreux, portez un masque de protection contre la poussière du type N95 ou P100.
  - Les décharges statiques sont fréquentes dans les endroits secs ou lorsque l'humidité relative de l'air ambiant est faible. L'aspiration de débris fins avec votre aspirateur peut déposer une charge statique sur le tuyau ou sur l'aspirateur. Pour réduire la fréquence des chocs causés par l'électricité statique quand vous utilisez cet aspirateur, utilisez un humidificateur d'air pour humidifier l'air ambiant.
- Observez les avertissements suivants qui figurent sur le carter du moteur de votre aspirateur :

▲ **AVERTISSEMENT** - pour votre propre sécurité, lisez et comprenez le manuel de l'opérateur. Ne laissez jamais l'aspirateur en marche sans surveillance. Ne ramassez pas de cendres chaudes, de charbon ou de matières toxiques, inflammables ou dangereuses. N'utilisez pas à proximité de vapeurs ou de liquides explosifs.

▲ **AVERTISSEMENT** - pour réduire le risque de choc électrique - n'exposez pas à la pluie - rangez à l'intérieur.



DOUBLEMENT ISOLÉ - MISE À LA TERRE NON NÉCESSAIRE.  
POUR L'ENTRETIEN, N'UTILISEZ QUE DES PIÈCES DE RECHANGE IDENTIQUES L'ENTRETIEN.

# CONSERVER CES INSTRUCTIONS

## ENTRETIEN DU CORDON D'ALIMENTATION ÉLECTRIQUE

Quand vous aurez fini de vous servir de l'aspirateur, débranchez le cordon et enroulez-le autour du cache du moteur. Si le cordon d'alimentation électrique est endommagé, il faut le faire remplacer immédiatement par le fabricant, par son représentant agréé pour le service après-vente ou par un technicien disposant des qualifications nécessaires afin de réduire le risque d'accident.

N'étirez JAMAIS le cordon au maximum entre l'aspirateur et la prise de courant. Un cordon qui est étiré excessivement ou sur lequel on a tiré ne fonctionnera pas correctement et est une cause de danger.

Après avoir fini de passer l'aspirateur, débranchez le cordon et enroulez-le comme cela est décrit à la page 52. N'enroulez PAS le cordon en l'enveloppant autour de votre main et de votre coude.

N'utilisez que des cordons indiqués par ProTeam comme cordons de rechange.

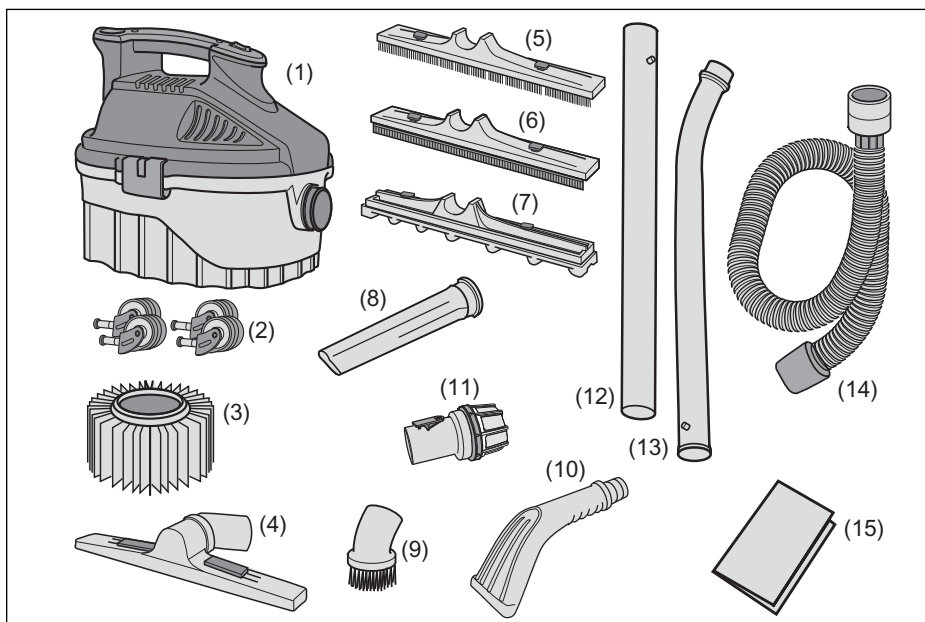
Important : référez-vous au point numéro 17 dans les consignes de sécurité.

Le type de gaine du cordon doit être SJTW ou mieux.

## CONTENU DU CARTON

### VUE D'ENSEMBLE

- Aspirateur de liquides et de poussières de 4 gallons (1)
- 4 roulettes (2)
- Filtre à cartouche pour poussières fines Qwik Lock™ (3)
- Outil principal de nettoyage du plancher (4)
- Brosse pour plancher accessoire (5)
- Racloir accessoire (6)
- Brosse pour moquette accessoire (7)
- Suceur plat (8)
- Brosse à épousseter (9)
- Suceur à griffes (10)
- Diffuseur (11)
- Tube de rallonge droit (12)
- Tube de rallonge cintré (13)
- Ensemble de tuyau flexible (14)
- Mode d'emploi (15)

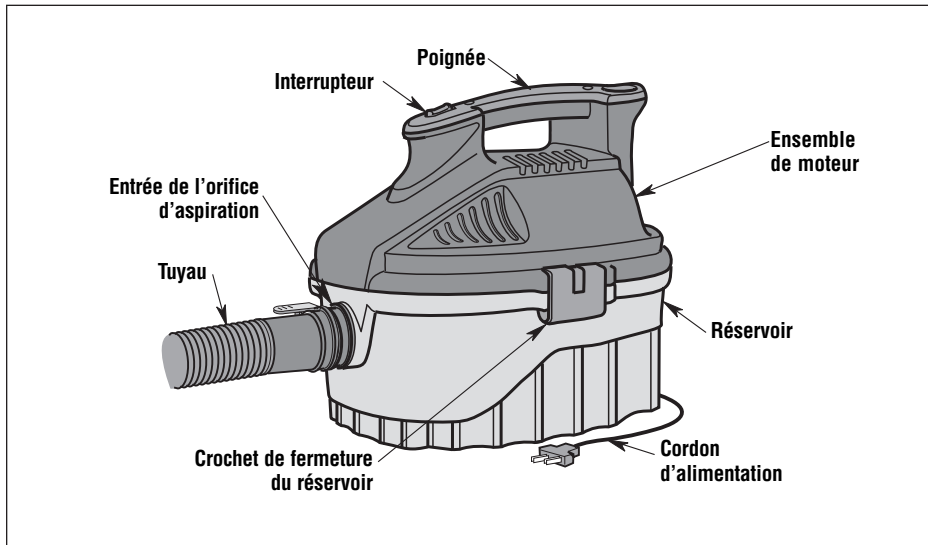


# PRÉPARATION POUR LE FONCTIONNEMENT

## LES PREMIERS PAS

Cet aspirateur de liquides et de poussières est conçu pour un emploi commercial. Il peut être utilisé pour aspirer des quantités limitées de déchets liquides ou secs, et il peut aussi être utilisé comme soufflante. Son poids léger permet de l'employer pour la plupart des opérations de nettoyage qui ne sont pas trop intensives. Familiarisez-vous avec le produit et ses caractéristiques, dont la description suit, et lisez l'ensemble du mode d'emploi pour en apprendre plus sur divers emplois spécifiques de votre nouvel aspirateur de liquides et de poussières.

Familiarisez-vous avec les commandes et les caractéristiques de votre nouvel aspirateur de liquides et de poussières avant de commencer à vous en servir (*Figure A*).



*Figure A*

## MONTAGE/REEMPLACEMENT DU FILTRE

**▲ AVERTISSEMENT :** pour votre propre sécurité, ne branchez jamais une fiche dans une prise de courant secteur avant que toutes les étapes du montage n'aient été exécutées, et avant d'avoir lu et compris toutes les consignes de sécurité et d'utilisation. Ne vous servez pas d'un aspirateur dont des pièces sont endommagées ou manquantes.

### Pour retirer le bloc moteur :

1. Saisissez les crochets de fermeture du réservoir du côté droit ou du côté gauche du bloc-moteur. Tirez doucement sur les crochets de fermeture du réservoir pour les éloigner de ce dernier. Soulevez le bloc-moteur pour le détacher du réservoir (Figure B).

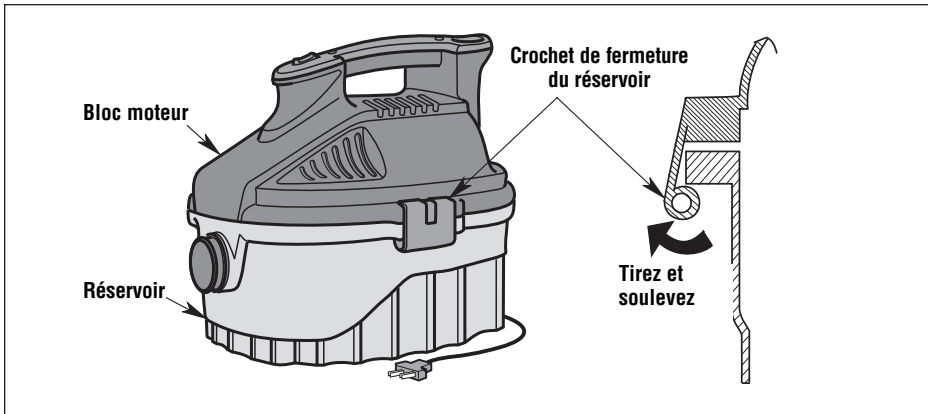


Figure B

## MONTAGE/REEMPLACEMENT DU FILTRE (suite)

**▲ AVERTISSEMENT** : ne faites pas fonctionner sans la cage du filtre et le flotteur étant donné qu'ils empêchent l'entrée de liquide dans la roue et protègent ainsi le moteur contre les dommages pouvant en résulter.

**IMPORTANT** : pour ne pas risquer d'endommager la roue de la soufflante, réinstallez toujours le filtre avant de vous servir de l'aspirateur pour ramasser des matériaux secs.

### Retrait et installation du filtre à cartouche pour poussières fines Qwik Lock™

#### Retrait du filtre :

1. Saisissez les deux languettes du filtre Qwik Lock, une dans chaque main (*Figure C*).
2. Placez un pouce sur le goujon Qwik Lock, qui dépasse de la plaque de filtre intégrée, tirez sur les languettes du filtre et appuyez en même temps sur le goujon.
3. Cette action aura pour effet que le filtre sera relâché de la cage du filtre. Faites glisser le filtre pour le sortir de la cage.

#### Installation du filtre :

1. Faites glisser délicatement le filtre Qwik Lock par-dessus la cage du filtre et appuyez sur le bord extérieur du filtre jusqu'à ce que le joint d'étanchéité en caoutchouc sur le dessous du filtre soit solidement installé autour de la base de la cage du filtre et contre le couvercle.
2. Alignez le petit trou central sur le dessus du filtre au-dessus du goujon Qwik Lock™ sur la cage du filtre. Appuyez fermement sur le dessus du filtre, à proximité du goujon, pour permettre au filtre de s'emboîter sur l'embout sphérique du goujon. Le filtre est maintenant installé.

**REMARQUE** : si vous n'installez pas correctement le joint d'étanchéité du dessous, il est possible que des débris passent à côté du filtre

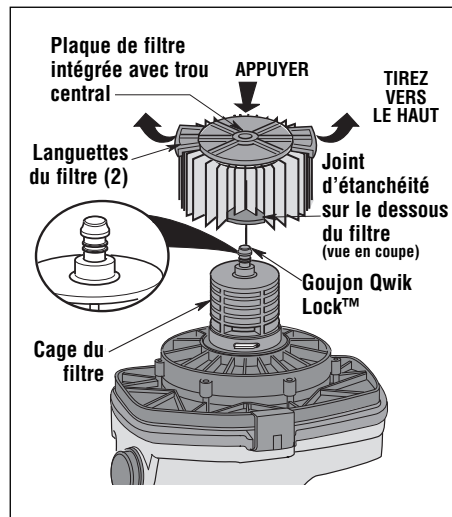


Figure C



## FUNCTIONNEMENT

**▲ AVERTISSEMENT** - pour réduire le risque d'incendie, d'explosion ou d'endommagement de l'aspirateur :

- Ne laissez pas en marche pendant que vous êtes absent - vous vous risqueriez de manquer des signes importants indiquant un fonctionnement anormal, comme une perte de puissance d'aspiration, la sortie de débris ou de liquides par la bouche de soufflage d'air ou des bruits anormaux en provenance du moteur. Cessez immédiatement d'utiliser l'aspirateur si vous constatez de tels signes.
- Ne laissez pas l'aspirateur branché lorsque vous ne l'utilisez pas.
- Ne continuez pas à utiliser l'aspirateur lorsque le flotteur a coupé l'aspiration.
- N'utilisez pas l'aspirateur à des endroits où il y a des gaz ou vapeurs inflammables, ou des poussières explosives, dans l'air. Les étincelles à l'intérieur du moteur risqueraient de mettre feu à des matières inflammables en suspension dans l'air. Les gaz et vapeurs inflammables comprennent : essence à briquet, produits de nettoyage du type solvant, peinture à base d'huile, essence, alcool ou aérosols. Les poussières inflammables comprennent : charbon, magnésium, aluminium, grains ou poudre à canon.
- N'aspirez pas de poussières explosives, de liquides inflammables ou de cendres chaudes.
- Ne vous servez pas de l'aspirateur comme pulvérisateur.

**▲ AVERTISSEMENT** - pour réduire le risque de choc électrique ou de blessure :

- N'exposez pas à la pluie, et ne laissez pas de liquides pénétrer dans le compartiment du moteur. Rangez à l'intérieur.
- Ne touchez pas la fiche de branchement, l'interrupteur ou l'aspirateur si vous avez les mains mouillées.
- N'effectuez pas d'opération de maintenance pendant que l'aspirateur est branché. Si votre aspirateur ne fonctionne pas comme il devrait, si des pièces sont manquantes, si vous l'avez laissé tomber, s'il est endommagé, s'il a été laissé à l'extérieur ou s'il a été immergé dans de l'eau, rappez-le dans un centre de réparation indépendant ou téléphonez au service d'assistance à la clientèle.
- Lorsque vous utilisez un cordon de rallonge, n'utilisez qu'un cordon prévu pour emploi à l'extérieur et en bon état. Ne laissez pas la connexion entrer en contact avec des liquides.
- N'aspirez pas de matières toxiques afin de réduire le risque d'inhaler des vapeurs ou des poussières dangereuses.

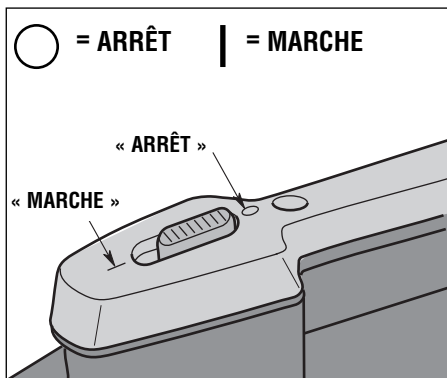


Figure D

Pour réduire le risque de choc électrique, cet aspirateur est muni d'une fiche polarisée (une lame est plus large que l'autre). La fiche n'entrera dans une prise polarisée que d'une seule manière. Inverser la fiche si elle n'entre pas complètement dans la prise. Si elle n'entre toujours pas, prendre contact avec un électricien qualifié pour installer une prise de courant appropriée. Ne pas altérer la fiche de quelque manière que ce soit.

Après avoir branché le cordon d'alimentation dans la prise de courant, mettez l'appareil sous tension en appuyant sur l'interrupteur pour le faire passer de la position « O » à la position « I ». Les deux symboles internationaux qui figurent sur l'interrupteur indiquent, respectivement, la position de marche et la position d'arrêt de votre aspirateur (Figure D).

---

## FONCTIONNEMENT (suite)

---

### Aspiration de matériaux secs

1. Le filtre doit toujours être dans la position correcte afin d'éviter les fuites et l'endommagement possible de l'aspirateur.
2. Si vous utilisez votre aspirateur pour ramasser des poussières fines, il sera nécessaire que vous vidiez le réservoir et nettoyez le filtre à des intervalles plus fréquents pour maintenir la performance optimale de votre aspirateur.

**REMARQUE** : un filtre sec est nécessaire pour ramasser des matériaux secs. Si l'aspirateur est employé pour ramasser de la poussière alors que le filtre est humide, le filtre se bouchera très vite et il sera ensuite très difficile à nettoyer.

**▲ AVERTISSEMENT** : ne faites pas fonctionner sans la cage du filtre et le flotteur étant donné qu'ils empêchent l'entrée de liquide dans la roue et protègent ainsi le moteur contre les dommages pouvant en résulter. Pour le ramassage de matériaux secs, n'utilisez pas l'aspirateur sans que le filtre ne soit à sa place afin de réduire le risque d'endommagement du moteur.

### Aspiration de liquides

1. Lors de l'aspiration de faibles volumes de liquide, le filtre peut être laissé à sa place.
2. Lors de l'aspiration de grands volumes de liquide, nous recommandons de retirer le filtre. Sinon, il se saturera et on verra peut-être apparaître alors un peu de brume sur l'orifice d'échappement.
3. Lorsque le liquide dans le réservoir atteint un niveau prédéterminé, le flotteur montera automatiquement pour couper la circulation d'air. Vous saurez quand le flotteur sera en position élevée parce que l'aspiration cessera et le bruit du moteur deviendra plus aigu en raison de la vitesse accrue du moteur. Lorsque cela se produit, éteignez l'aspirateur et videz le réservoir.
4. Après que l'aspirateur aura été utilisé pour aspirer des liquides, il faudra sécher le filtre pour éviter la formation possible de moisissures et pour ne pas endommager le filtre.

**IMPORTANT** : pour réduire le risque d'endommager l'aspirateur, il ne faut pas faire fonctionner le moteur pendant que le flotteur est en position élevée.

## FONCTIONNEMENT (suite)

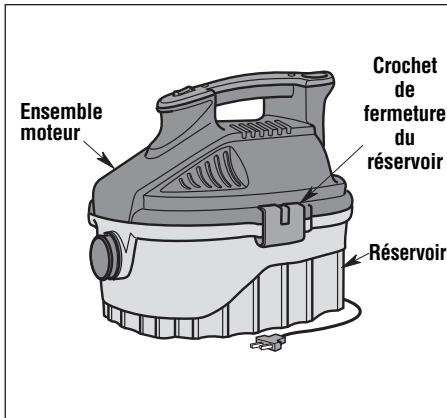


Figure E

### Drainage du réservoir

1. Pour retirer le couvercle afin de vider le contenu du réservoir, soulevez simplement les deux crochets de fermeture du réservoir sur le côté de l'aspirateur et soulevez le bloc-moteur afin de le détacher du réservoir, puis mettez-le de côté (Figure E).
2. Déposez le bloc-moteur sur une surface propre et sèche puis drainez le réservoir ou changez le filtre.
3. Videz le contenu du réservoir dans un conteneur approprié pour l'éliminer ensuite (Figure F).

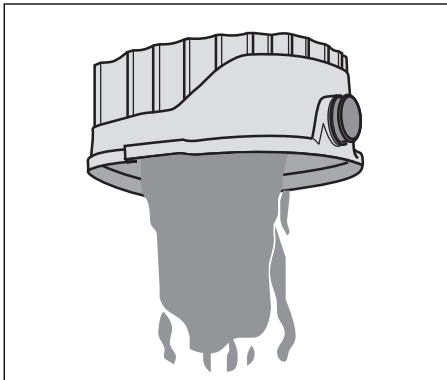


Figure F

### Fonction de soufflante

Votre aspirateur de liquides et de poussières peut servir de soufflante pour chasser les feuilles dans votre jardin, nettoyer votre patio et chasser la sciure et d'autres débris dans votre atelier.

**REMARQUE :** L'orifice de soufflerie est situé du côté opposé à l'orifice d'aspiration.

**▲ AVERTISSEMENT** - il faut toujours porter des lunettes de protection conformes à la norme ANSI Z87.1 (ou, au Canada, ACNOR Z94.3) avant de se servir de l'aspirateur comme une soufflerie.

**▲ AVERTISSEMENT** - pour ne pas risquer de causer des blessures à d'autres personnes, il est recommandé de leur demander de rester à distance suffisante des débris soufflés.

**▲ MISE EN GARDE** - portez un masque de protection contre la poussière du type N95 ou P100 si la soufflerie produit de la poussière qui risquerait d'être inhalée.

**▲ MISE EN GARDE** - pour réduire le risque d'endommagement de l'ouïe, portez des protecteurs d'oreilles quand vous utilisez l'aspirateur/la soufflante pendant de longues périodes ou quand vous l'utilisez dans un environnement bruyant.

---

## RANGEMENT DU CORDON D'ALIMENTATION

---

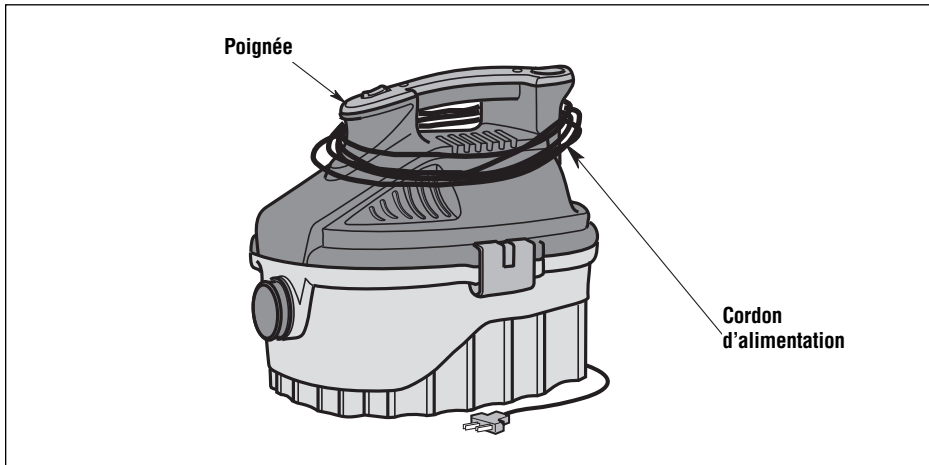
1. Votre aspirateur comprend un endroit pratique pour ranger votre cordon d'alimentation électrique.
2. Enroulez le cordon autour du dessus de la poignée de l'aspirateur et attachez le bout de la fiche au cordon (*Figure G*).
3. Le tuyau flexible inclus avec ce produit ne peut pas se ranger autour de la poignée. Rangez ce tuyau séparément en lieu sûr, à proximité de l'aspirateur de liquides et de poussières.

### Entretien du cordon d'alimentation

Une fois votre travail d'aspiration terminé, débranchez le cordon d'alimentation et enroulez-le autour du couvercle du moteur. Si le cordon d'alimentation électrique est endommagé, il doit être remplacé par un technicien ayant les qualifications nécessaires afin de réduire le risque d'accident.

### Rangement

Avant de ranger votre aspirateur, videz et nettoyez-en le réservoir. Le cordon doit être enroulé autour de l'appareil. Les accessoires doivent être rangés à proximité de l'aspirateur de façon à pouvoir les trouver facilement. Ranger l'aspirateur à l'intérieur d'un bâtiment.



*Figure G*

---

# MAINTENANCE

---

## Nettoyage du filtre de l'aspirateur

**REMARQUE** : le filtre est fait de papier de qualité élevée conçu pour intercepter les très petites particules de poussière. Le filtre peut être utilisé pour l'aspiration de déchets secs ou de petites quantités de liquide. Manipulez le filtre avec précaution lorsque vous le retirez ou l'installez. Les plis du filtre peuvent être froissés pendant l'installation, mais cela n'aura aucune influence sur la performance du filtre.

## Retrait du filtre

Référez-vous à la rubrique « Montage/remplacement du filtre », à la page 48 de ce mode d'emploi.

**IMPORTANT** : pour éviter d'endommager le moteur et la roue de la soufflerie, toujours réinstaller le filtre avant d'utiliser l'aspirateur pour ramasser des matériaux secs.

## Nettoyage d'un filtre sec

**REMARQUE** : nettoyez le filtre dans un endroit bien dégagé. Le nettoyage DOIT être effectué à l'extérieur.

1. Le retrait de certains débris secs peut être accompli sans enlever le filtre de l'aspirateur. Donner simplement un coup avec la main sur la partie supérieure de la poignée pendant que l'aspirateur est à l'arrêt.
2. Retirer le filtre de l'aspirateur. Tapotez doucement le filtre contre la paroi intérieure de votre réservoir, et les débris s'en détacheront et tomberont.
3. Pour un nettoyage complet d'un filtre sec couvert de particules fines (pas de débris), il est conseillé de placer le filtre sous un robinet comme indiqué à la rubrique « Nettoyage d'un filtre humide ».

## Nettoyage d'un filtre humide

Une fois le filtre retiré, faites couler de l'eau au travers du filtre à l'aide d'un tuyau d'arrosage ou d'un robinet. Veillez à ce que la pression de l'eau sortant du tuyau d'arrosage ne soit pas si forte qu'elle pourrait endommager le filtre.

**IMPORTANT** : inspecter le filtre après le nettoyage pour s'assurer qu'il n'est pas déchiré ou troué. Ne pas utiliser un filtre déchiré ou troué. Même un petit trou peut permettre à beaucoup de poussière de sortir de l'aspirateur. **Remplacez votre filtre immédiatement** s'il est endommagé ou usé.

## MAINTENANCE (suite)

### Nettoyage et désinfection de l'aspirateur de liquides et de poussières

Pour conserver l'esthétique optimale de votre aspirateur de poussières et de liquides, nettoyez la surface extérieure de l'aspirateur à l'aide d'un chiffon imbibé d'eau tiède savonneuse (Figure H).

Nettoyage du réservoir :

1. Vider les débris.
2. Lavez soigneusement le réservoir avec de l'eau chaude et un savon doux.
3. Essuyer avec un chiffon sec.

Il faut désinfecter le réservoir avant de ranger l'aspirateur pendant une période prolongée, ou suivant les besoins (p. ex., ramassage d'eaux sales).

Désinfection du réservoir :

1. Versez un gallon d'eau et 1 cuillère à thé de produit à blanchir au chlore dans le réservoir.
2. Laissez la solution reposer pendant 20 minutes, en remuant doucement plusieurs fois pendant cette période et en humidifiant soigneusement toutes les surfaces intérieures du réservoir.
3. Videz le réservoir au bout de 20 minutes. Rincez avec de l'eau jusqu'à ce que l'odeur de chlore ait disparu. Laissez le réservoir sécher complètement avant de réassembler le moteur au réservoir de façon étanche.

**▲ AVERTISSEMENT** - pour assurer la **SÉCURITÉ** et la **FIABILITÉ** du produit, les réparations et réglages doivent être effectués par des centres agréés de service après-vente en utilisant toujours des pièces de rechange ProTeam.

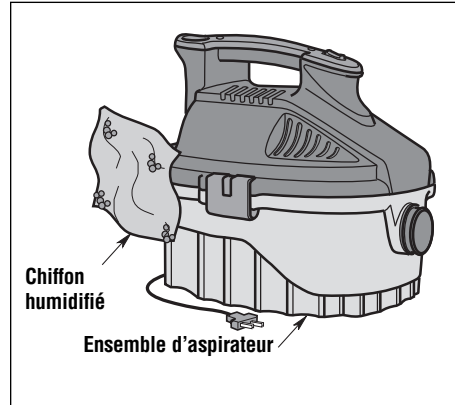


Figure H

# MAINTENANCE PRÉVENTIVE

## ▲ AVERTISSEMENT :

Les renseignements suivants sont conçus exclusivement pour emploi par des techniciens de maintenance ayant les qualifications nécessaires. Ils donnent des conseils pour la maintenance et, le cas échéant, pour le dépannage.

- Débranchez l'aspirateur avant de travailler sur le moteur ou tout autre composant sous tension.
- NE LUBRIFIEZ PAS le moteur.
- N'ATTACHEZ PAS le cordon de rallonge et le cordon d'alimentation électrique ensemble. Ceci endommagerait les deux cordons et ce dommage ne serait pas couvert par la garantie.

## ENTRETIEN DE VOTRE ASPIRATEUR

1. Pour préserver la validité de la garantie de votre aspirateur, pour assurer un rendement optimal et pour améliorer la qualité de l'air à l'intérieur, n'utilisez que des filtres ProTeam authentiques.
2. Inspectez tous les filtres avant chaque emploi. Videz ou remplacez les filtres suivant les besoins.
3. Essuyez l'intérieur et l'extérieur de l'aspirateur avec un produit de nettoyage après chaque emploi.

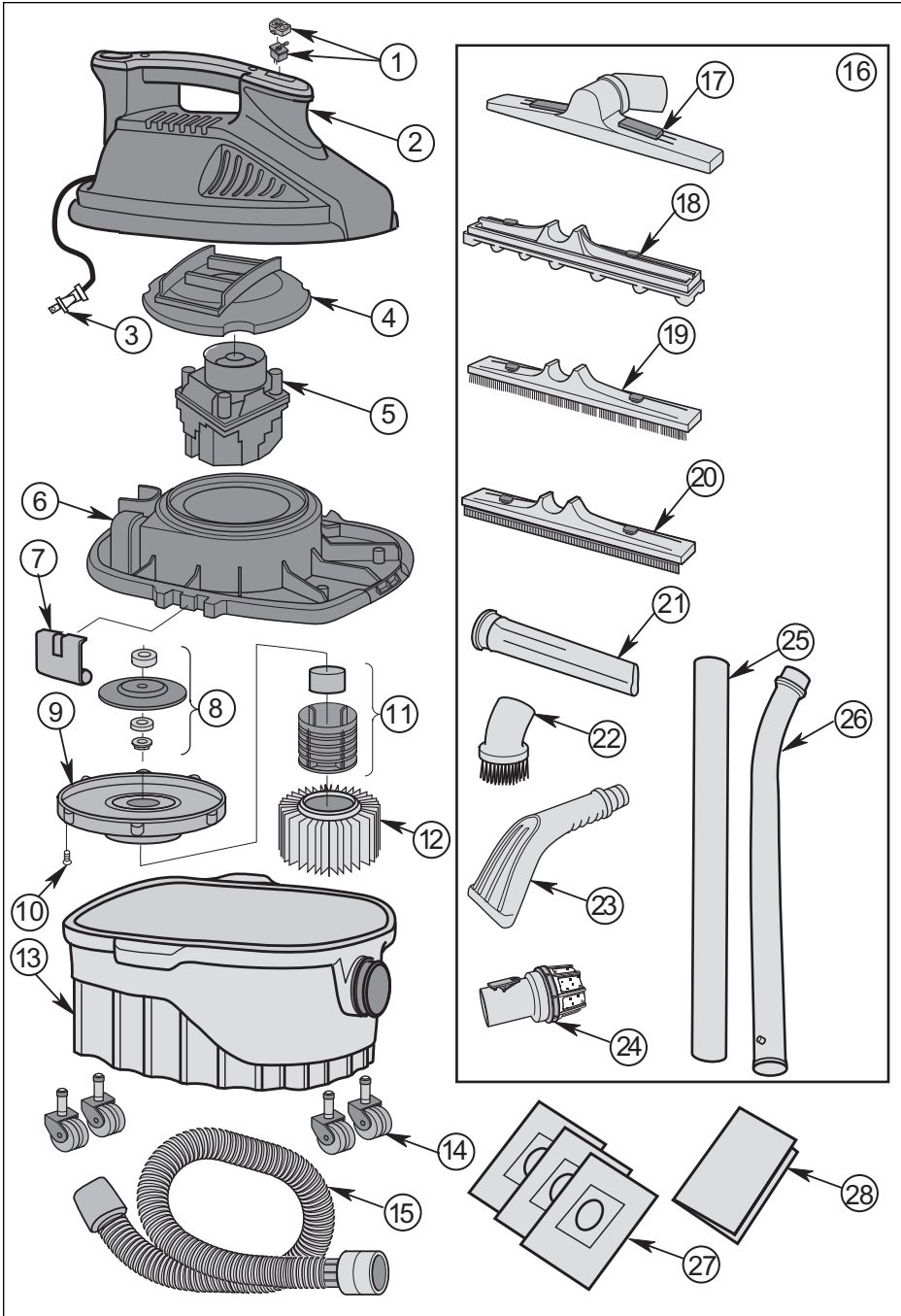
## RANGEMENT CORRECT

Lorsque votre aspirateur n'est pas utilisé, il doit être rangé à l'intérieur, dans un endroit sec. Videz et nettoyez le réservoir avant de ranger votre aspirateur. Le cordon doit être enroulé autour de la poignée, et le tuyau flexible et les accessoires doivent être rangés conformément aux instructions de ce mode d'emploi. Les accessoires doivent être conservés au même endroit que l'aspirateur afin qu'ils soient toujours à portée de la main.

# DÉPANNAGE

1. Si l'aspirateur ne se met pas en marche, effectuez les vérifications suivantes :
  - a. Inspectez le cordon d'alimentation électrique au niveau de la prise de courant murale.
  - b. Inspectez le cordon d'alimentation électrique au niveau de l'aspirateur.
  - c. Assurez-vous que l'interrupteur est dans la position de marche (« on ») et qu'il fonctionne correctement.
  - d. Confirmez que la prise murale utilisée est bien sous tension. Vérifiez le disjoncteur dans le bâtiment. Si le problème n'est pas là, contactez un centre de garantie agréé de ProTeam.
2. Si le cordon est trop chaud au toucher, assurez-vous que le cordon ne dépasse pas une longueur de 50 pi (15 m) pour le calibre 14 ou de 100 pi (30 m) pour le calibre 12.
3. En cas de perte de la fonction d'aspiration, effectuez les vérifications suivantes :
  - a. Vérifiez qu'il n'y a pas de débris qui obstruent le tuyau flexible et/ou des accessoires.
  - b. Inspectez et/ou nettoyez le filtre plissé.
  - c. Vérifiez que les manchons du tuyau flexible sont bien serrés sur le tuyau et ne sont pas fissurés.
  - d. Vérifiez que le bloc moteur est attaché correctement au réservoir de l'aspirateur.

# MONTAGE DE L'ASPIRATEUR PORTABLE PROGUARD® 4






# LISTE DES PIÈCES DE L'ASPIRATEUR PORTABLE PROGUARD®4

## Pièces détachées pour l'assemblage

Aspirateur portable ProGuard®4			QTÉ
N° DE COMMANDE			
1	510123	Interrupteur et cache de l'interrupteur (jeu)	1 pièce
2	510107	Cache du moteur et poignée du haut	1 pièce
3	829714-1	Ensemble de cordon	1 pièce
4	830519	Tuyau d'échappement	1 pièce
5	509776-19	Ensemble de moteur (inclut le numéro 5)	1 pièce
6	830520-2	Couvercle	1 pièce
7	826387	Crochet de fermeture du réservoir	2 pièces
8	510124	Entretoise, roue de soufflante, rondelle, écrou	1 pièce
9	832656-1	Collecteur	1 pièce
10	820563-4	Vis, type AB N° 10 x 3/4 po	7 pièces
11	510108	Cage de filtre et ensemble de flotteur	1 pièce
12	107178	Filtre à cartouche pour poussières fines Qwik Lock™	1 pièce
13	510106	Réservoir (avec orifice d'admission)	1 pièce
14	510109	Roulettes (jeu de 4)	1 pièce
15	831337-6	Ensemble de tuyau flexible de première qualité	1 pièce
16	107184	Trousse d'accessoires (contient les articles 17-26)	1 pièce
17	107189	Outil principal de nettoyage du plancher	1 pièce
18	107191	Brosse pour moquette accessoire	1 pièce
19	107192	Brosse pour plancher accessoire	1 pièce
20	107193	Racloir accessoire	1 pièce
21	107194	Suceur plat	1 pièce
22	107195	Brosse à épousseter	1 pièce
23	107196	Suceur à griffes	1 pièce
24	830098	Diffuseur	1 pièce
25	107190	Tube de rallonge droit	1 pièce
26	107188	Tube de rallonge cintré	1 pièce
27	107182	Sac filtrant Intercept Micro® - jeu de 3/paquet (en option)	1 pièce
28	SP6768	Mode d'emploi	1 pièce

### ▲ AVERTISSEMENT

#### RÉPARATION DE L'ASPIRATEUR DE LIQUIDES ET DE POUSSIÈRES DOUBLEMENT ISOLÉ

Dans un aspirateur de liquides et de poussières doublement isolé, deux systèmes d'isolation sont fournis au lieu de la mise à la terre. Aucun moyen de mise à la terre n'est prévu sur un appareil électro-ménager doublement isolé, et il ne faut pas en ajouter. La réparation d'un aspirateur de liquides et de poussières doublement isolé nécessite une connaissance approfondie du système et la prise de précautions extrêmes. Une telle réparation ne doit être entreprise que par un technicien agréé. Les pièces de rechange pour un aspirateur de liquides et de poussières doublement isolé doivent être les mêmes que les pièces qu'elles remplacent. Les mots « DOUBLE INSULATED » (Doublement isolé) figurent sur l'aspirateur de liquides et de poussières doublement isolé, et le symbole  (un carré à l'intérieur d'un autre carré) peut également figurer sur les appareils.

Pour réduire le risque de blessures causées par les chocs électriques, débranchez le cordon d'alimentation avant de réparer les éléments électriques de l'aspirateur de liquides et de poussières.

# GARANTIE DE L'ASPIRATEUR PORTABLE PROGUARD®4

Cette garantie limitée s'applique aux aspirateurs de liquides et de poussières commerciaux ProGuard® de ProTeam, Inc. suivants : ProGuard 4.

Si vous avez des questions ou si vous avez besoin d'assistance en liaison avec la garantie de votre produit, veuillez téléphoner au département de service à la clientèle de ProTeam au (866) 888-2168, de 7 h 30 à 17 h 00, Heure normale des Rocheuses.

## ProGuard®- Garantie limitée

ProTeam, Inc., établie au 12438 W. Bridger Street, Boise, Idaho 83713 (« ProTeam ») garantit à l'acheteur d'origine (« vous »), sous réserve des exclusions décrites ci-dessous, que les composants et moteurs de produits ProGuard mentionnés ci-dessous ne comporteront pas de défauts de matériau ou de fabrication à partir de la date de l'achat initial et ensuite pendant toute la période indiquée ci-dessous (chacune étant une « Période de garantie »). Cette garantie limitée cessera de produire des effets si l'acheteur d'origine transfère le produit ProGuard à une autre personne physique ou morale.

### Garanties des pièces - Tous les produits ProGuard

- Pièces moulées recouvrant tous les produits ProGuard - Durée de vie attendue du produit ProGuard.
- Tous les autres composants (à l'exclusion du moteur) de tous les produits ProGuard - 3 ans.

### Garanties des moteurs - Différentes en fonction de chaque produit ProGuard

- ProGuard 4 - Moteur de l'aspirateur - 1 an.

### Ce qui n'est pas couvert - Exclusions de la garantie

Cette garantie limitée ne couvre pas et exclut expressément :

- L'usure normale et/ou les accessoires ou compléments de rechange, y compris, sans limitation, les cordons de rallonge, les tuyaux flexibles, les filtres, les interrupteurs, les balais de charbon des moteurs et d'autres accessoires du produit ProGuard.
- L'endommagement ou l'usure du moteur du produit ProGuard résultant de l'impossibilité d'éliminer un blocage qui s'est produit dans le cadre normal d'utilisation du produit.
- La perte ou l'endommagement du produit ProGuard résultant de conditions au-delà du contrôle de ProTeam, y compris, sans limitation, un emploi non conforme aux spécifications, un accident, une utilisation abusive, un incident causé par de l'inattention, de la négligence (sauf si ProTeam en est responsable), une utilisation excessive au-delà de la capacité nominale, ou une modification ou altération non autorisée.
- La perte ou l'endommagement du produit ProGuard résultant du non-respect du calendrier de maintenance obligatoire, ou de l'utilisation du produit ProGuard d'une façon non conforme aux instructions ou directives écrites de ProTeam, ou aux stipulations écrites du mode d'emploi.

### Ce que nous ferons pour remédier aux problèmes

Si une réclamation soumise pendant la Période de garantie est couverte en vertu de la présente garantie limitée, ProTeam ou votre concessionnaire local autorisé de ProTeam, au choix exclusif de ProTeam, (a) réparera la partie défectueuse du produit ProGuard ou (b) remplacera tout le produit ProGuard. LE REMÈDE UNIQUE ET EXCLUSIF POUR TOUTE RUPTURE DE LA PRÉSENTE GARANTIE LIMITÉE SERA LIMITÉ À LA RÉPARATION OU AU REMPLACEMENT DU PRODUIT PROGUARD.

### Aucune autre garantie expresse ne s'applique

LES GARANTIES LIMITÉES INDIQUÉES PLUS HAUT SONT LES GARANTIES UNIQUES ET EXCLUSIVES OFFERTES PAR PROTEAM À L'ACHETEUR D'ORIGINE, ET ELLES SE SUBSTITUENT À TOUTES LES AUTRES GARANTIES, ÉCRITES OU ORALES, EXPLICITES OU IMPLICITES, DE PLEIN DROIT OU D'ORIGINE CONTRACTUELLE, Y COMPRIS, SANS LIMITATION, LES GARANTIES DE QUALITÉ MARCHANDE OU D'ADÉQUATION À UN BUT PARTICULIER, QUE CE BUT AIT ÉTÉ DIVULGUÉ OU NON, ET QUE LE PRODUIT PROGUARD AIT ÉTÉ CONÇU OU FABRIQUÉ SPÉCIALEMENT OU NON POUR VOTRE BUT OU POUR VOTRE UTILISATION PARTICULIÈRE. Aucun employé, agent, revendeur ou autre personne n'est autorisé à altérer la présente garantie limitée ou à offrir une autre garantie pour le compte de ProTeam. Les termes de la présente garantie limitée ne seront pas modifiés par ProTeam, le propriétaire d'origine ou leurs ayants droit ou cessionnaires respectifs.

# GARANTIE DE L'ASPIRATEUR PORTABLE PROGUARD®4

## Comment nous notifier

Si vous découvrez que votre produit ProGuard a un défaut qui, selon vous, est couvert par la présente garantie limitée, vous devez notifier ProTeam ou le concessionnaire autorisé de ProTeam qui vous a vendu le produit ProGuard avant la fin de la Période de garantie applicable. Vous pouvez contacter le département de service à la clientèle de ProTeam en téléphonant au (866) 888-2168 entre 7 h 30 et 17 h 00, Heure normale des Rocheuses, ou à tout moment par télécopie ou par courriel en utilisant le numéro de télécopie et l'adresse courriel figurant dans votre mode d'emploi ou sur notre site Web. Pour qu'une réclamation en vertu de la garantie soit traitée aussi rapidement que possible, nous vous suggérons de remplir la carte d'enregistrement (« Registration Card ») mise à votre disposition sur le site Web de ProTeam à [www.pro-team.com](http://www.pro-team.com). Si vous ne voulez pas faire enregistrer votre produit ProGuard, pour pouvoir faire valoir la garantie, vous devrez envoyer une copie de votre reçu ou de tout autre justificatif d'achat montrant la date de l'achat à ProTeam ou à votre concessionnaire local autorisé de ProTeam.

## Procédures de réparation et de remplacement

Veuillez téléphoner au département de service à la clientèle au numéro susmentionné ou visiter le site Web de ProTeam pour localiser le concessionnaire autorisé de ProTeam le plus proche de l'endroit où vous résidez. S'il n'y a pas de concessionnaire autorisé de ProTeam près de chez vous, notre département de service à la clientèle vous donnera le nom et l'adresse du réparateur-représentant des services techniques le plus proche ou il vous donnera des instructions pour que vous puissiez expédier votre produit ProGuard au centre de réparations de ProTeam. ProTeam ou votre concessionnaire local autorisé de ProTeam déterminera si l'objet de votre réclamation est couvert par la présente garantie limitée, sous réserve des limitations ou exclusions décrites dans la présente garantie limitée, ou si vous êtes au-delà de la Période de garantie applicable. Votre concessionnaire local autorisé de ProTeam réparera votre produit ProGuard, expédiera votre produit ProGuard au centre de réparations du concessionnaire ou de ProTeam, ou contactera ProGuard pour obtenir un produit de remplacement ProGuard. La décision de remplacer votre produit ProGuard est à la discrétion exclusive de ProTeam. Des réparations ou modifications apportées au produit ProGuard par quiconque autre que ProTeam, son centre de réparations autorisé ou un concessionnaire local autorisé rendront la présente garantie limitée nulle et non avenue. La couverture en vertu de la présente garantie limitée ne s'appliquera que si l'acheteur d'origine se conforme à tout moment à ces procédures de notification et de réparation obligatoires.

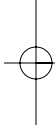
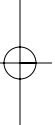
## Limitation de responsabilité

DANS LA MESURE AUTORISÉE PAR LA LOI, PROTEAM NE SERA EN AUCUN CAS RESPONSABLE DE QUELCONQUES PRÉJUDICES ACCESSOIRES, SPÉCIAUX, INDIRECTS OU SECONDAIRES, Y COMPRIS TOUTE PERTE ÉCONOMIQUE, QUE CE SOIT POUR CAUSE DE NON-FONCTIONNEMENT, D'UTILISATION CORRECTE OU INCORRECTE, D'INCAPACITÉ D'EMPLOI DU PRODUIT PROGUARD OU DE NÉGLIGENCE DE LA PART DE PROTEAM. LE VENDEUR N'ASSUMERA AUCUNE RESPONSABILITÉ POUR LES DOMMAGES CAUSÉS PAR UN RETARD DANS LA PERFORMANCE, ET QUELLE QUE SOIT LA FORME DE LA RÉCLAMATION OU LA CAUSE DE L'ACTION (QU'ELLE SOIT BASÉE SUR UN CONTRAT, SUR UNE VIOLATION DE DROITS DE TIERS, SUR DE LA NÉGLIGENCE, SUR LE PRINCIPE DE LA RESPONSABILITÉ SANS FAUTE, SUR UN QUASI-DÉLIT OU AUTREMENT), LA RESPONSABILITÉ ENCOURUE PAR PROTEAM ENVERS L'ACHETEUR ET/OU SES CLIENTS NE SAURAIT EN AUCUN CAS DÉPASSER LE PRIX PAYÉ PAR LE PROPRIÉTAIRE D'ORIGINE POUR LE PRODUIT PROGUARD. L'expression « préjudices secondaires » inclura, mais de façon non limitative, la perte de bénéfices anticipés, l'interruption de l'activité commerciale, la perte d'emploi ou de revenus, le coût du capital ou la perte ou l'endommagement de biens ou d'équipements.

Étant donné que certaines provinces n'autorisent pas l'exclusion ou la limitation des dommages accessoires ou secondaires, il est possible que la limitation qui précède ne s'applique pas à vous.

La présente garantie limitée vous confère des droits spécifiques, et vous avez peut-être aussi d'autres droits, qui varient selon la province dans laquelle vous résidez.

ProTeam, ProGuard, Intercept Micro et Qwik Lock sont des marques de commerce d'Emerson.



ProTeam, Inc.  
customerservice.proteam@emerson.com  
P.O. Box 7385, Boise, ID 83707  
866.888.2168

**Imprimé 12/11**

