

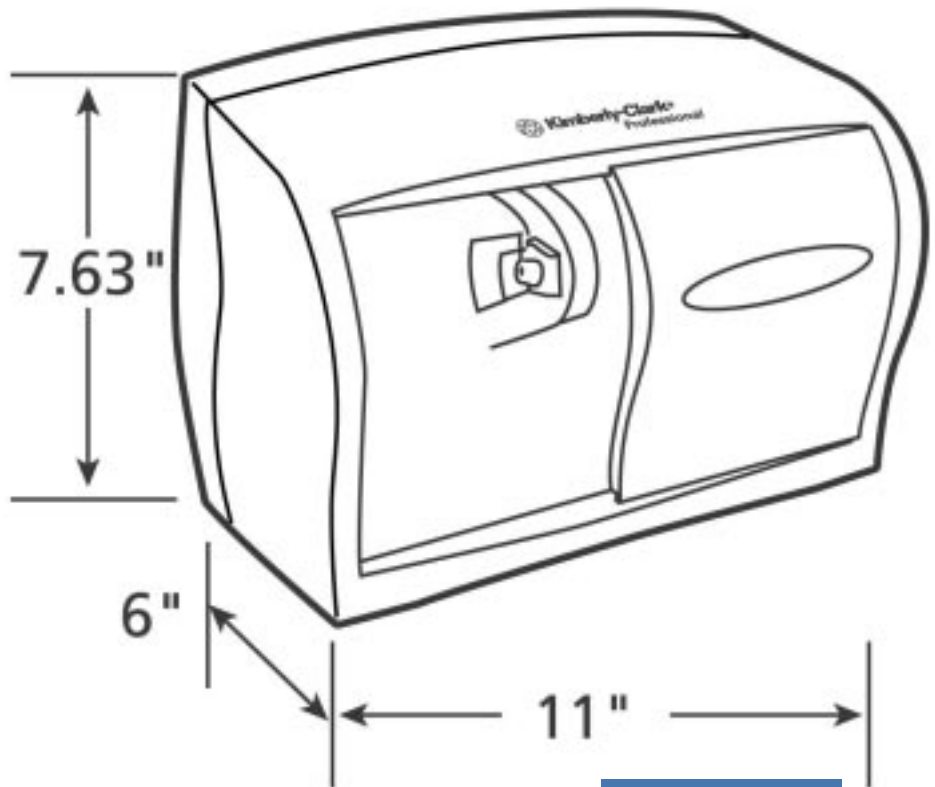


Where Unsung Heroes Make It Happen™

800.647.2737

[NationalEW.com](http://NationalEW.com)

Wholesale Parts Pricing



09604

## SERIES-I IN-SIGHT® DOUBLE ROLL CORELESS

Dispenser made of durable plastic. Front cover slides and provides the Insight transparent look. Designed to hold and dispense 2 Coreless Bath Tissue Rolls. Features include a sliding cover for added hygiene and the easy one hand loading with no movable parts and no key. Dispenser shipped one per case.

*NOTE: Unless otherwise noted, suggested mounting height is the distance from the floor to the bottom of the dispenser.*