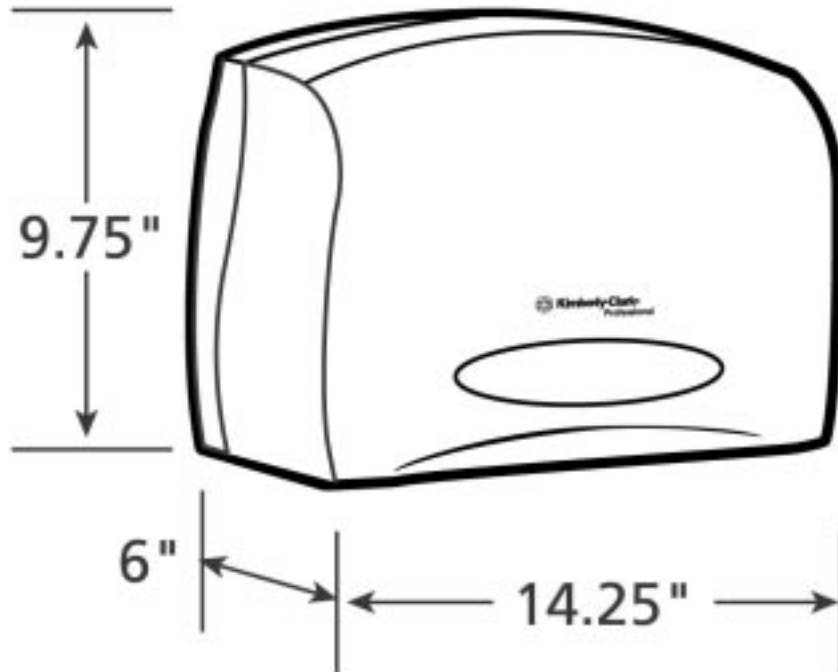




Where Unsung Heroes Make It Happen™

800.647.2737

NationalEW.com



09603

REFLECTIONS® EZ-LOAD/CORELESS JRT

Stainless Steel dispenser with clear transparent window.

Designed to dispense a 9.38" diameter x 3.8" wide tissue roll, plus stub roll. Dispenser holds more than the equivalent, in length, of six standard rolls of bath tissue.

Dispenser is designed to minimize run-out, waste, and maintenance time. Features no door, no key and no core to throw away, and tear-off bars on both sides of dispenser opening. Dispenser shipped one per case.

Suggested Mounting Height: 30"

NOTE: Unless otherwise noted, suggested mounting height is the distance from the floor to the bottom of the dispenser.