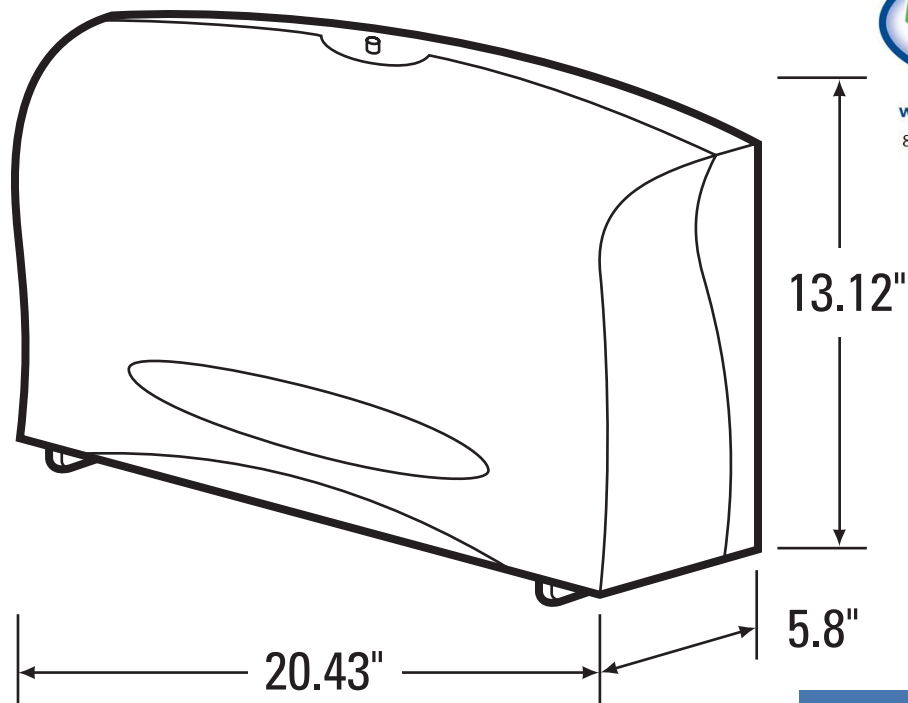




Where Unsung Heroes Make It Happen™
800.647.2737 NationalEW.com



09551

JRT® COMBINATION TISSUE DISPENSER

Dispenser is made of a durable grey plastic body and smoked transparent cover. It can dispense either two full 9.38" diameter rolls or one standard 13" diameter roll plus stub roll. All rolls have a 3.8" width and a 3.25" diameter core. With two full 9.38" rolls it holds more than the equivalent in length of ten standard rolls. Design minimizes run-out, waste, and maintenance time. Features hinged front cover, push button for easy opening or common key lock to reduce pilferage, and tear-off bars on sides and front of dispenser opening. Dispenser is shipped 1 per case.

Suggested Mounting Height: 30"

NOTE: Unless otherwise noted, suggested mounting height is the distance from the floor to the bottom of the dispenser.