



Technical Data

PARTITION-MOUNTED DUAL-SIDED MULTI-ROLL TOILET TISSUE DISPENSER (SERVES TWO TOILET COMPARTMENTS)

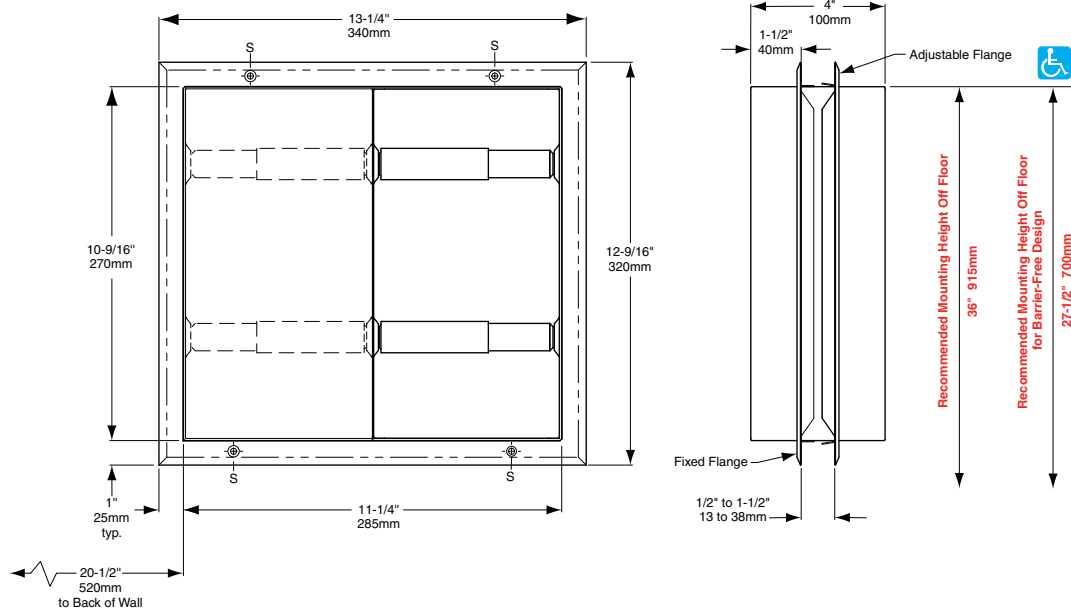
B-386



Where Unsung Heroes Make It Happen™

800.647.2737

NationalEW.com



Rough Partition Cutout
 11-1/2" (290mm) wide
 10-7/8" (275mm) high
 1/2" to 2" (12 to 50mm) partition thickness

MATERIALS:

Cabinet — 18-8 S, type-304, 22-gauge (0.8mm) stainless steel. All-welded construction. Exposed surfaces have satin finish.

Flanges (2) — 18-8 S, type-304, 22-gauge (0.8mm) stainless steel with satin finish. Drawn and beveled, one-piece, seamless construction.

Toilet Tissue Dispensers (4) — 18-8 S, Type-304, 22 gauge (0.8mm) stainless steel with satin finish. Holds two standard-core toilet tissue rolls up to 5-1/8" (130mm) diameter (1500 sheets) for each toilet compartment.

Spindles (4) — Chrome-plated plastic, equipped with heavy-duty internal springs.

Designer's Note: Theft-resistant spindles, which are removable only with special key provided. Order Part Number 283-604.

continued . . .

OPERATION:

Unit holds four standard-core toilet tissue rolls up to 5-1/8" (130mm) diameter (1500 sheets), two for each compartment. Spindles may be removed from each compartment for servicing.

Designers Note: It is recommended that one full toilet tissue roll remain wrapped until the other roll has been depleted to avoid wasting ends of both rolls.

INSTALLATION:

Mount unit, with seam in wrapper at bottom, in toilet partition 1/2" to 2" (13 to 50mm) thick, centered through a cutout specially ordered from partition manufacturer or field cut. Dimensions of cutout are to be 11-1/2" wide x 10-7/8" high (290 x 275mm). For factory-made cutouts, location and size details should be furnished to partition manufacturer. For hollow-core metal partitions, provide solid framing into which sheet-metal mounting screws can be secured.

For installation with sheet-metal screws furnished, place unit firmly in partition cutout, making certain that entire perimeter of fixed flange is flush with and tight against partition surface. Secure to partition with screws through four mounting holes at points indicated by an S. On other side of partition, position adjustable flange (which serves as an escutcheon) so mounting holes are not in-line with mounting holes in fixed flange. Make certain entire perimeter of adjustable flange is flush with and tight against partition surface before securing with sheet-metal screws furnished by manufacturer.

For through-bolting method of installation, make sure that mounting holes in adjustable flange are in-line with holes in fixed flange. Using adjustable flange as template to mark locations, drill 9/32" or 5/16" (7 or 8mm) holes through partition. Provide four binder posts and #6 (3.5mm) flat-head screws to secure unit and its adjustable flange. Obtain binder posts and screws by ordering Bobrick Binder Post Kit No. 354-119 for partitions 1/2" (13mm) thick only or Kit No. 354-124 for partitions 3/4" to 1-1/4" (19 to 32mm) thick.

Note: Cutouts in Bobrick toilet partitions can be pre-cut for Bobrick partition-mounted accessories at factory if location and size of cutouts are specified and the order for both partitions and accessories are received together.

SPECIFICATION:

Partition-mounted dual-sided multi-roll toilet tissue dispenser shall be type-304 stainless steel with all-welded construction; exposed surfaces shall have satin finish. Flanges shall be drawn and beveled, one-piece, seamless construction. Unit shall mount in toilet partition and shall serve two toilet compartments. Unit shall dispense four standard-core toilet tissue rolls up to 5-1/8" (130mm) diameter (1500 sheets). *Spindles shall be equipped with a heavy-duty internal spring.

Partition-Mounted Multi-Roll Toilet Tissue Dispenser shall be Model B-386 of Bobrick Washroom Equipment, Inc., Clifton Park, New York; Jackson, Tennessee; Los Angeles, California; Bobrick Washroom Equipment Company, Scarborough, Ontario; Bobrick Washroom Equipment Pty. Ltd., Australia; and Bobrick Washroom Equipment Limited, United Kingdom.