



AMERICAN SPECIALTIES, INC.

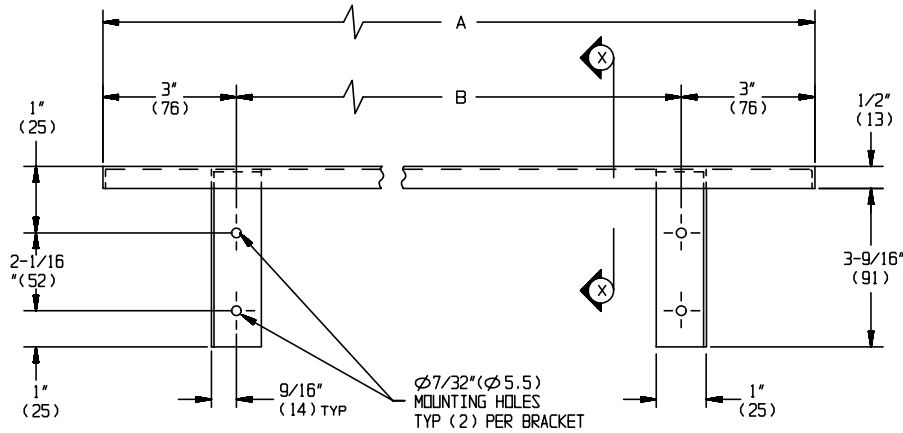
441 Saw Mill River Road, Yonkers, NY 10701 (914) 476-9000
www.americanspecialties.com

MODEL No: 0692 SERIES

ISSUED: 1-87

REVISED: 10-06

SURFACE MOUNTED SHELF



Where Unsung Heroes Make It Happen™

800.647.2737

NationalEW.com

ELEVATION

NOTE:
ALL DIMENSIONS ARE IN INCHES (millimeters).

SPECIFICATION

Surface Mounted Shelf shall be fabricated of alloy 18-8 stainless steel, type 304. Brackets shall be 16 gauge and shelf shall be 18 gauge, with a 1/2" (13) lip on all four (4) sides. Front lip shall be hemmed under for safety. All exposed surfaces shall be N° 4 satin finish and shall be protected during shipment with PVC film easily removable after installation. Structural assembly of shelf and bracket supports shall be of welded construction. Shelf shall be sized and brackets located as per standard schedule or shall be custom fabricated to customer supplied drawing. Scheduled shelves equal to or less than 8" (203) deep shall have standard 4" (102) high brackets and shelves in the depth range greater than 8" (203) to 12" (305) shall have 6" (152) high brackets. Consult factory for shelves deeper than 12" (305).

Surface Mounted Shelf shall be Model N° 0692-xxx as manufactured by American Specialties, Inc., 441 Saw Mill River Road, Yonkers, New York 10701-4913

SCHEDULE OF AVAILABILITY

SHELF DEPTH & MODEL SUFFIX ADDER				SHELF LENGTH DIMENSIONS/BRACKET SPACING		
5" depth/length	6" depth/length	8" depth/length	specify depth/length	A = length	B = spacing	Number of brackets
-512	-612	-812	-XX12	12"	6"	2
-516	-616	-816	-XX16	16"	10"	2
-518	-618	-818	-XX18	18"	12"	2
-524	-624	-824	-XX24	24"	18"	2
-530	-630	-830	-XX30	30"	12"	3
-536	-636	-836	-XX36	36"	15"	3
-548	-648	-848	-XX48	48"	14"	4
-560	-660	-860	-XX60	60"	18"	4
-572	-672	-872	-XX72	72"	16-1/2"	5
-5XX	-6XX	-8XX	-XXXX	AA"	BB"	NN

INSTALLATION

Unit is surface mounted on wall or partition using N° 10 (M5) self-tapping screws or other appropriate fasteners (by others) through holes provided in support brackets. Ensure that adequate in wall blocking or other reinforcement is provided (by others) to support shelf and intended loading weight. For compliance with ADA Accessibility Guidelines unit should be installed so that shelf top is between 48" (1219) maximum above finished floor (AFF) and 32" (813) minimum AFF. Typical for general utility is 42" (1067) AFF or 18" (457) above washbasin.

OPERATION

Shelf is stable and stationary after proper and secure mounting to adequate wall reinforcement or stud structure. Shelf is suitable for wet (self-contained) or dry materials storage.

Accessory Specialties

AMERICAN DISPENSER

Desert Ray Products

WATROUS inc.