



# AMERICAN SPECIALTIES, INC.

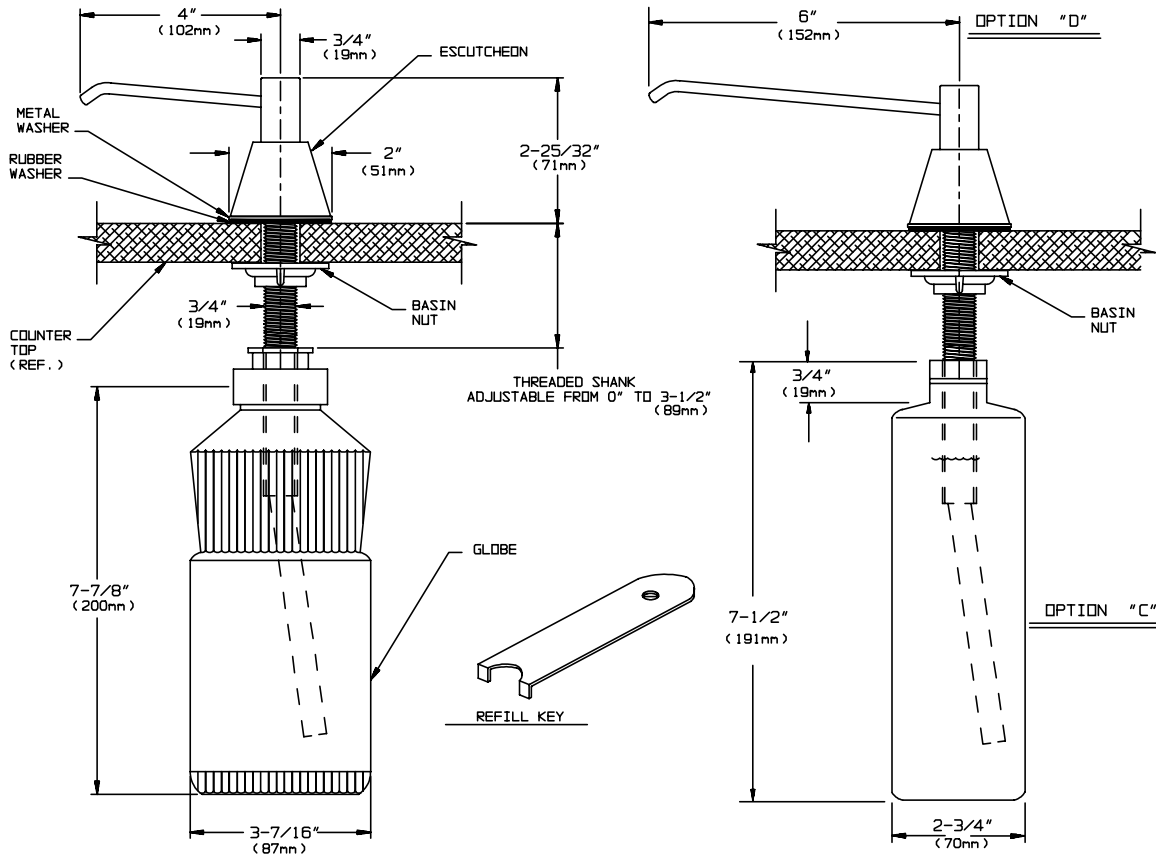
441 Saw Mill River Road, Yonkers, NY 10701 (914) 476-9000

MODEL No: 0332

ISSUED: 1-87

REVISED: 8-04

## LAVATORY MOUNTED SOAP DISPENSER



### SPECIFICATION

Lavatory Mounted Soap Dispenser shall dispense 34 oz. (1.0 liter) of liquid and lotion soaps, synthetic detergents and antibacterial soaps containing PCMX and/or Triclosan. Dispenser stem and 4" spout shall be stainless steel with rubber "duck bill" check valves and an O-ring seal. Valve body, internal parts, basin nut, threaded shank and globe adapter shall be molded plastic. Spring, escutcheon washer, stem retainer collar and screw shall be stainless steel. Escutcheon shall be chrome plated brass. Soap container shall be translucent, shatter-resistant polyethylene. Vandal-resistant spout shall rotate 360° without damage to unit. Valve operation shall comply with ADA Accessibility Guidelines by requiring no more than 5lbsf (22.2 Newtons) of pressure to actuate without grasping or twisting by operator.

Lavatory Mounted Soap Dispenser shall be Model N° 0332 of American Specialties, Inc., 441 Saw Mill River Road, Yonkers, New York 10701-4913

### INSTALLATION

Unit is typically located adjacent to a flush mounted lavatory, through 7/8" (22mm) dia. cut out (by others) in counter top. An adjustable threaded shank allows for installation in counter tops up to 3-1/2" (89mm) thick.

### OPERATION

Soap is manually dispensed by pushing down on the spout stem. Dispenser is refilled by using the special refill key to unlock the escutcheon and remove the valve body with dip tube from the shank to expose reservoir opening.

SUFFIX	DESCRIPTION
C	20oz. (592ml) polyethylene globe
D	6" (152mm) long spout
64	1" (25mm) height spacer



Where Unsung Heroes Make It Happen™

800.647.2737

[NationalEW.com](http://NationalEW.com)