



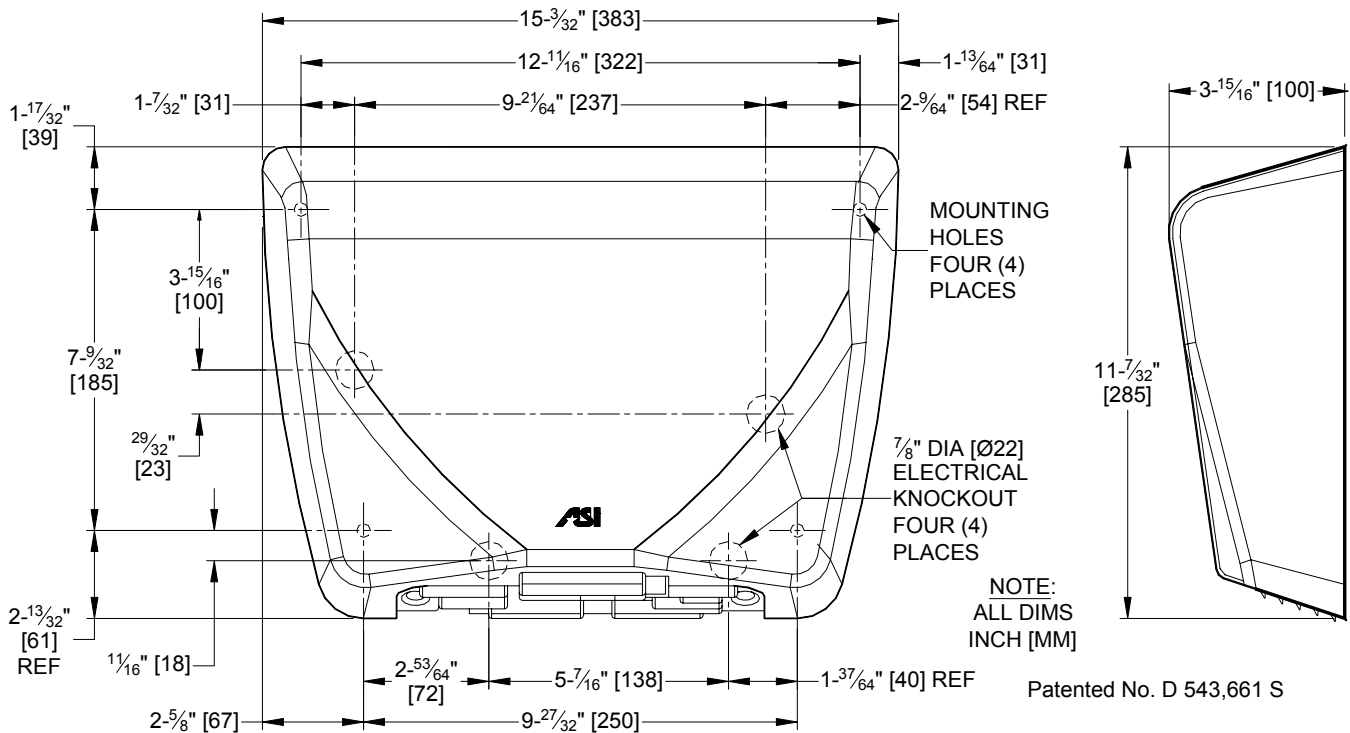
AMERICAN SPECIALTIES, INC.
 441 Saw Mill River Road, NY 10701
 (914) 476.9000 • (914) 476.0688
 www.americanspecialties.com

MODEL №: 0195

ISSUED: 10/05

REVISED: 01/10

SURFACE MOUNTED SENSOR HAND DRYER WITH CAST IRON COVER (PG 1/2)



SPECIFICATION

Surface Mounted Hand Dryer shall operate automatically from IR sensor that shall activate dryer when hands are placed in sensor zone. Motor and heating element shall have internal resetting automatic thermal protection. Cover shall be fabricated of one-piece, heavy-duty cast iron 1/4" (6.4mm) thick, and shall have all exposed surfaces finished with acid, chip and scratch resistant porcelain enamel. Fixed directional air vanes shall be heavy duty, rust proof and tamper resistant. Air intake slots shall not allow access to internal parts. Back plate shall be furnished with vibration isolating mounting bushings. Circuitry shall have self-adjusting time-out and fail-safe off protection controlled by a microprocessor that shall detect and reject false signals and shall automatically self calibrate to provide uniform sensitivity over its entire life span. Entire unit shall be internally electrically grounded. Dryer unit shall have C^{UL} US approval and be listed under the re-examination services of Underwriters Laboratories, Inc. Unit shall be warranted against defects in materials or workmanship for ten (10) years.

Surface Mounted Sensor Hand Dryer shall be Model № 0195 of American Specialties, Inc. 441 Saw Mill River Road Yonkers, New York 10701-4913

INSTALLATION

Unit is surface mounted on wall with four (4) 1/4" screws, washers and bushings (supplied) through rubber grommets (supplied) in a corrosion protected formed heavy steel back plate into suitable prepared mountings (by others) or other suitable mounting hardware (by others) to suit wall conditions. For masonry walls use expansion bolts or anchors for 1/4" (6) screws. Electrical service is supplied and connected (by others) prior to installing cover. Cover is secured to back plate with two (2) hex socket security screws (supplied). For compliance with ADA Accessibility Guidelines, install unit so that bottom edge of dryer is 48" (1219) MAX AFF if clear floor access is provided. For general utility install unit so that bottom edge of dryer is 54" to 56" (1372 to 1422) AFF. For two or more dryers, dryers should be no closer than 24" (610) on center.

OPERATION

Dryer is activated by user placing hands under sensor. Dryer automatically shuts off after time-out when user removes hands from sensor zone.



AMERICAN SPECIALTIES, INC.
 441 Saw Mill River Road, NY 10701
 (914) 476.9000 • (914) 476.0688
 www.americanspecialties.com

MODEL No: 0195

ISSUED: 10/05

REVISED: 01/10

SURFACE MOUNTED SENSOR HAND DRYER WITH CAST IRON COVER (PG 2/2)

RATINGS

| MODEL | TYPE | TIMING | VOLTS HERTZ | AMPS | WATTS | COLOR* |
|-------|------|-----------|----------------|------|-------|--------|
| 0195 | Hand | Automatic | 115VAC-50/60Hz | 17.6 | 2022 | White |
| | | | 208VAC-50/60Hz | 15.9 | 1654 | |
| | | | 240VAC-50/60Hz | 18.3 | 2200 | |

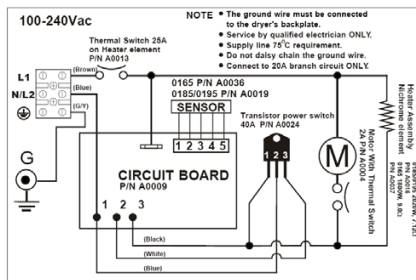
| MODEL | MOTOR | H/P | RPM | FAN TYPE | AIR FLOW | HEATING ELEMENT | HEAT TEMP. |
|---------------|-------------------------------------|-----|------|-----------------------------|--------------------------------------|---|--|
| 0195 115AC | Brush Type Dual Ball Bearings | 1/4 | 7500 | Single Inlet Centrifugal | 186 CFM (314.5 m ³ /h) | 1857 Watt Nichrome wire with auto reset circuit breaker @ 115VAC | 149° F (65°) @ 77° F (25°) ambient room temperature |
| 0195 208AC | | | | | | 1519 Watt Nichrome wire with auto reset circuit breaker @ 104VAC | |
| 0195 240AC | | | | | | 2020 Watt Nichrome wire with auto reset circuit breaker @ 240VAC | |

COLOR OPTIONS*

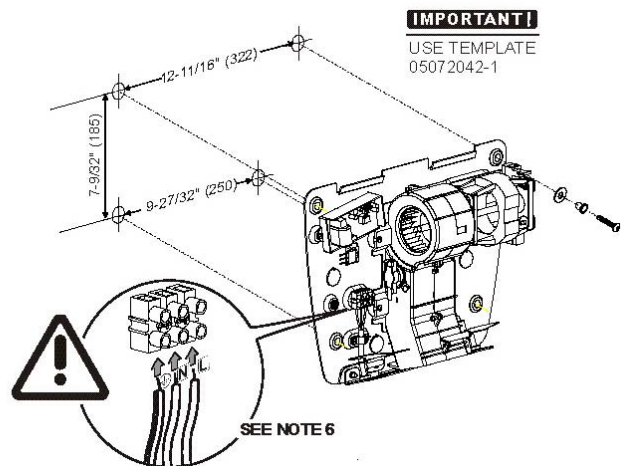
Unit is supplied with white finish unless color option is specified. Specify optional color (from chart below) by adding appropriate code number suffix to standard model number (i.e. 0195-40) and indicate option by circle in chart. For color chips see the **OPTIONS** section.

| CODE | COLOR | CODE | COLOR | CODE | COLOR |
|------|-----------|------|-------|------|--------|
| 40 | Cool Grey | 41 | Black | 71 | Almond |

Circuit Diagram



Installation Diagram



Where Unsung Heroes Make It Happen™

800.647.2737

NationalEW.com