



NationalEW.com

Helping you understand ADA guidelines

For the 2010 Americans with Disabilities Act Accessibility Guidelines (ADAAG) Requirements and the California Building Code



Introduction to ADA

The Americans with Disabilities Act (ADA) was signed into law on July 26, 1990, by President George H.W. Bush. The ADA is one of America's most comprehensive pieces of civil rights legislation that prohibits discrimination and guarantees that people with disabilities have the same opportunities as everyone else to participate in the mainstream of American life – to enjoy employment opportunities, to purchase goods and services, and to participate in State and local government programs and services. Modeled after the Civil Rights Act of 1964, which prohibits discrimination on the basis of race, color, religion, sex, or national origin – and Section 504 of the Rehabilitation Act of 1973 – the ADA is an “equal opportunity” law for people with disabilities.

Title III of the ADA provides that commercial facilities and places of public accommodation do not create or maintain barriers to access for a person with disabilities. To be protected by the ADA, one must have a disability, which is defined by the ADA as a physical or mental impairment that substantially limits one or more major life activities, a person who has a history or record of such an impairment, or a person who is perceived by others as having such an impairment. The ADA does not specifically name all of the impairments that are covered.

To get answers to questions about the ADA or to learn more about the law call the Department of Justice ADA Information Line, toll-free (1-800-514-0301 voice and 1-800-514-0383 TDD).



This document provides guidance to assist you in understanding the ADA and the California Building code regulation. However, this technical assistance does not constitute a legal interpretation of the statute.

SCA cares

Because SCA is a leading supplier of away-from-home hygiene products . . . and because we care . . . we are providing this document to educate and inform our sales representatives, distributor partners and customers about the Americans with Disabilities Act. We know these regulations can be complicated, so we broke it down to make it simple to understand how the ADA applies to properly installing Tork dispensers.

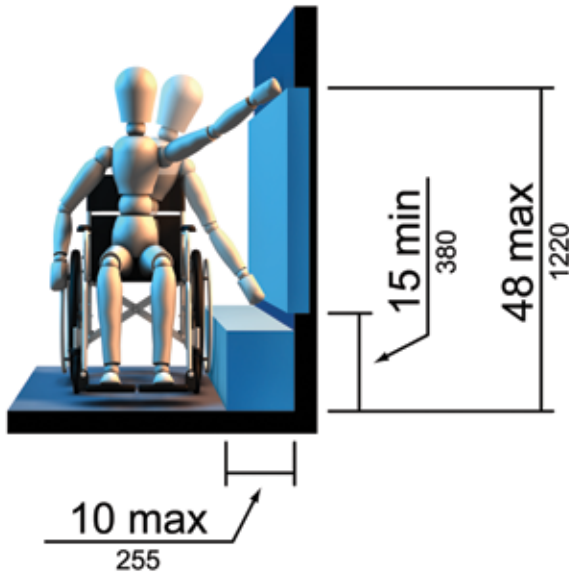
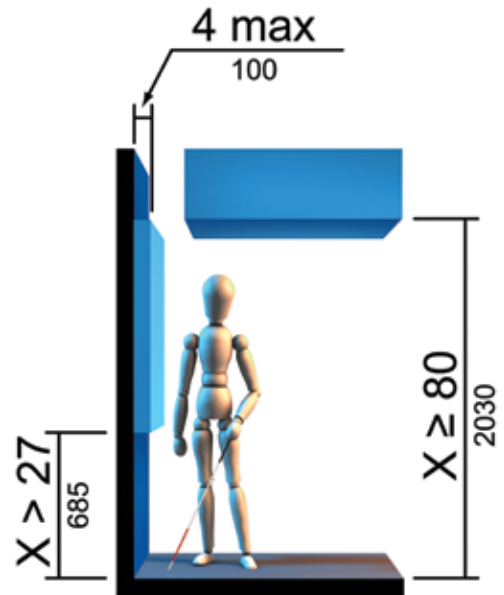


ADA requirements for hand drying and skincare

1

Free standing object overhang

Freestanding objects, such as posts, may not have an overhang in their design that exceeds 12 inches if the overhang is at a height somewhere between 27 and 80 inches from the finished floor.



2

Maximum side reach, over an obstruction

If there are unobstructed floor spaces which allows a person in a wheelchair to pull up parallel to an obstruction, such as a counter, then the forward reach must have a minimum of 15 inches and a maximum of 48 inches from the operational part of the dispenser. See drawing to left.

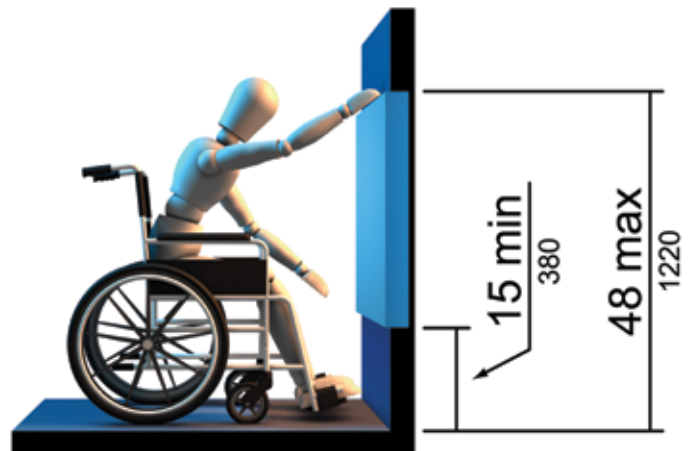
For customers that operate in the State of California: California Building Code Proposition 24 requires that towel dispensers in the state of California be mounted within 40" (from operational part of dispenser) from the finished floor.

3

Maximum forward reach, unobstructed

If unobstructed floor space allows a person in a wheelchair to pull up with a forward approach, then the forward reach must have a minimum of 15 inches and a maximum of 48 inches from the operational part of the dispenser. See figure to the right.

For customers that operate in the State of California: California Building Code Proposition 24 requires that towel dispensers in the state of California be mounted at 40" (from operational part of dispenser) from the finished floor.

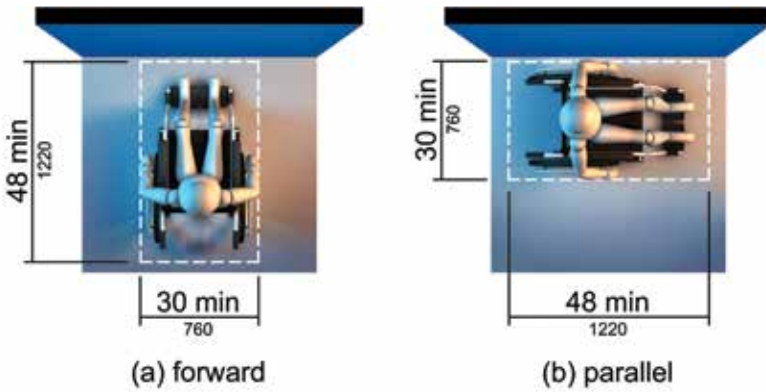
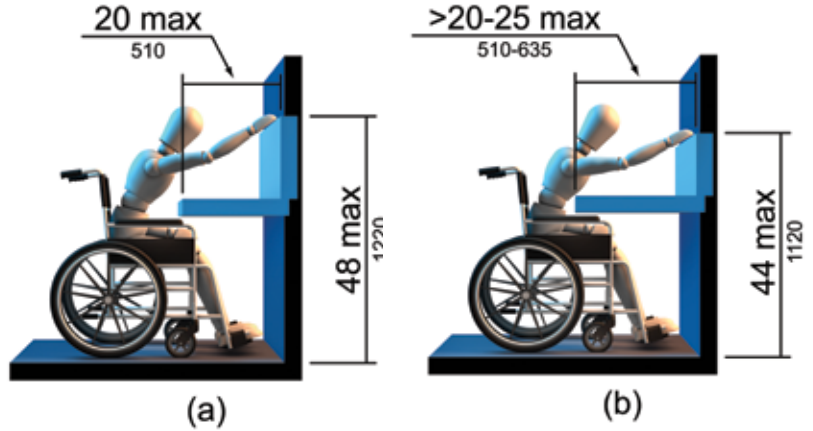


4

Maximum forward reach, with obstruction

If the forward reach is over an obstruction (like a countertop), then the obstruction can not exceed 25 inches deep and there must be knee space underneath the obstruction that is as deep as the obstruction itself.

Also, if the obstruction is less than 20 inches deep, then the forward reach can not exceed 48 inches high, figure (a); if the obstruction is 20-25 inches deep, then the forward reach cannot exceed 44 inches high figure (b). See figure to right.



5

Clear floor space

Any element, such as a towel dispenser, requires clear floor space of at least 30 by 48 inches. See drawing to left.

For customers that operate in the State of California:

California Building Code Proposition 24 requires that towel dispensers in the state of California be mounted at 40" (from operational part of dispenser) from the finished floor.



6

One hand operation

Operable parts must be operable with one hand.



7

5 pound force

The force required to activate operable parts shall not exceed 5 pounds.



8

No tight grasping, pinching or twisting required

Operable parts shall not require tight grasping, pinching or twisting of the wrist.

SCA ADA compliant dispensers

Hand drying

The following products are capable of being installed in a manner that would render them ADA compliant, provided that the ADA installation requirements are met.



552020

552028

Tork Elevation™ Xpress® Hand Towel Dispenser

The Xpress dispenser is for multifold hand towels and works best for environments that demand both comfort and hygiene. The slim design saves space, and one-at-a-time dispensing means you touch only the towel you use – no cross-contamination from levers or cranks.

Dispenser Size (H x W x D): 17.5" x 11.9" x 4" (44.45 x 30.23 x 10.16 cm)



552120

Tork Elevation Xpress Mini Hand Towel Dispenser

The Xpress mini dispenser is for multifold hand towels and works best for environments that demand both comfort and hygiene and a small dispenser footprint. Tork Xpress Mini fits where other dispensers can't. Measuring just 12 inches high, the Xpress™ Mini is perfect for wall areas where space is at a premium.

Dispenser Size (H x W x D): 11.6" x 11.9" x 4" (29.46 x 30.23 x 10.16 cm)



463002

Tork Image Design™ Xpress Hand Towel Dispenser

Tork Image Design Xpress Hand Towel Dispenser system features a gently brushed stainless steel with fine lines; and subtle curves provide clean lines and smooth surfaces. Extra slim design is both space-saving and elegant. One at-a-time dispensing reduces costs and delivers optimal hygiene. Touch free dispensers, ideal for washrooms looking for a more sophisticated touch. Easy to clean anti-fingerprint stainless steel coating. Keeps the washroom clean and tidy, while complementing the unique design.

Dispenser Size (H x W x D): 18.625" x 13" x 9.9375" (47.31 x 33.02 x 10.0 cm)



302020

302030

302028

Tork Xpress Countertop Multifold Hand Towel Dispenser

These dispensers are stylish countertop towel dispensers that add a hygienic, upscale touch to restaurant restrooms. The dispenser utilizes a unique folded towel system with fully enclosed towels that deliver only one towel at a time, minimizing the risk of cross contamination while reducing waste and refilling expenses.

Dispenser Size (H x W x D): 7.92" x 12.68" x 4.56" (20.12 x 32.21 x 11.58 cm)

Hand drying



5510202



5510282

Tork Elevation Matic® Hand Towel Roll Dispenser

The Tork Matic Dispenser is a high capacity system that is ideal for busy washrooms. Hands-free dispensing provides a hygienic, one-at-a-time solution for your washroom. The user touches only the towel needed, reducing the risk of cross-contamination.

Dispenser Size (H x W x D): 14.65" x 13.2" x 8.1" (37.21 x 33.53 x 20.57 cm)



5511202



5511282

Tork Elevation Matic Hand Towel Roll Dispenser with Intuition® Sensor

Tork Elevation Intuition virtually eliminates cross contamination while cutting back on waste. Each unit features a choice of two dispensing modes, towel hand mode or towel sensor mode. The towel remains inside the cabinet until the user activates the sensor, delivering maximum hygiene. An adjustable towel length of 8, 10, 14 or 18 inches, and a stub roll compartment combine to deliver more precise control of consumption.

Dispenser Size (H x W x D): 14.5" x 13" x 8" (36.83 x 33.02 x 20.32 cm)



461102



461122

Tork Image Design™ Matic Hand Towel Roll Dispenser with Intuition Sensor

Tork Image Design Matic Hand Towel Roll Dispenser with Intuition Sensor features a gently brushed stainless steel with fine lines; and subtle curves provide clean lines and smooth surfaces. Easy to use controls allow for sheet length adjustments. LED refill and low battery light indicators. Touch-free delivery of each soft towel enables hygiene at it's comforting best. One-at-a-time, no-touch towel dispensing improves hygiene. Large towel capacity and adjustable sheet lengths reduces run-outs and over-consumption. Also available in recessed setting (461122).

Dispenser Size (H x W x D): 14.88" x 13.58" x 8.03" (37.31 x 34.49 x 20.40 cm)



559020A



559028A

Tork Elevation Centerfeed Hand Towel Dispenser

The Tork Centerfeed Pro Dispensing Systems enable an easy, one-handed operation and controlled consumption with the enhanced pro feature. They are the ideal systems for areas where hand and light surface wiping are combined.

Dispenser Size (H x W x D): 14.39" x 9.42" x 8.95" (36.55 x 23.93 x 22.73 cm)



558028A

Tork Elevation Mini Centerfeed Hand Towel Dispenser

The Tork Centerfeed Mini Pro Dispensing Systems enable an easy, one-handed operation and controlled consumption with the enhanced pro feature. They are the ideal systems for areas where hand and light surface wiping are combined.

Dispenser Size (H x W x D): 13.05" x 6.86" x 6.51" (33.15 x 17.42 x 16.54 cm)

Skincare



570020A



570028A

Tork Elevation Liquid Skincare Dispenser

The Tork Liquid Skincare System is suitable for all kinds of washrooms, including tough and demanding environments. The soap pump dispenses up to 1 ml every time, controlling portions. The high-capacity 1 liter bottle allows for 1000 hand washes.

Dispenser Size (H x W x D): 11.5" x 4.4" x 4.5" (29.21 x 11.18 x 11.43 cm)



571501



571508

Tork Elevation Foam Skincare Manual Dispenser

The perfect balance between luxury and value, our Foam Skincare Manual Dispensing System uses highly concentrated, rich foam in a controlled closed dispensing system. This new system delivers nearly four times more hand washes per refill than liquid soap while offering a unique, luxurious, refreshing, and hygienic experience. Controlled usage 0.4 ml per dose. Low maintenance easy and quick to replace refills. More hand washings per refill & high capacity results in low cost-in-use – Sealed collapsible bottle refills reducing contamination and ensuring complete usage of the product.

Dispenser Size (H x W x D): 11.26" x 4.45" x 4.13" (28.60 x 11.30 x 10.49 cm)



466000

Tork Image Design Foam Skincare Manual Dispenser

Tork Image Design Foam Skincare Manual Dispenser system features a gently brushed stainless steel with fine lines; and subtle curves provide clean lines and smooth surfaces. Easy to load, high capacity refill: 2,500 doses (0.4 ml per dosage). Enclosed system avoids cross contamination. Refill bottle reduces waste volume by up to 70%; recyclable plastic bottles. No batteries needed.

Dispenser Size (H x W x D): 11.375" x 4.45" x 4.25" (28.89 x 10.8 x 10.8 cm)



571600



571608

Tork Foam Skincare Automatic Dispenser

Tork Elevation automatic foam dispenser delivers a touchfree luxurious handwashing experience. The sealed refill bottle with a single use pump provides quick and easy maintenance while reducing any potential for cross contamination. 2,500 doses of soap provides a high capacity and minimizes maintenance time and LED indicators signal when a refill or new batteries are needed.

Dispenser Size (H x W x D): 10.94" x 4.45" x 5.12" (27.79 x 11.30 x 13.00 cm)

To ensure optimal dispenser performance, please follow ADA guidelines and sensor range requirements detailed in dispenser manual.



466100

Tork Image Design Foam Skincare Automatic Dispenser with Intuition Sensor

The Tork Image Design Foam Skincare Automatic Dispenser system features a gently brushed stainless steel with fine lines; and subtle curves provide clean lines and smooth surfaces. Touch free convenient dispensing. Easy to load, high capacity refill: 2,500 doses (0.4 ml per dosage). Enclosed system avoids cross contamination. LED indicators signal when a refill or new batteries are needed.

Dispenser Size (H x W x D): 11.69" x 4.13" x 4.02" (29.69 x 10.49 x 10.21 cm)

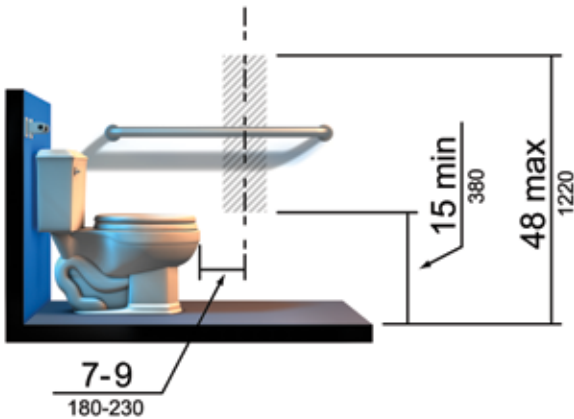
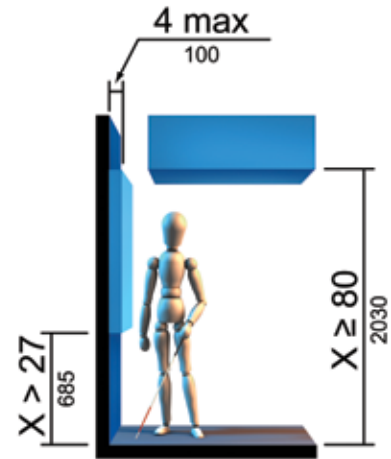
To ensure optimal dispenser performance, please follow ADA guidelines and sensor range requirements detailed in dispenser manual.

ADA requirements for bath tissue

1

Protrusion from the wall

The four inch depth requirement described in step one on page 3 does not apply if the product is installed on a toilet stall side wall or other area that is not a passageway, walkway, hall, corridor, or aisle.



2

Toilet paper dispenser placement

To meet Federal ADA requirements, bath tissue dispensers must be installed in the following manner:

- A minimum of 7 inches and a maximum of 9 inches in front of the water closet, to the centerline of the dispenser.
- The permissible height is between 15 and 48 inches between the outlet of the dispenser and the floor.
- It shall not be located behind the grab bar. If toilet paper dispensers are installed above the side wall grab bar, the outlet of the toilet paper dispenser must be 48 inches (1220 mm) maximum above the finished floor and the top of the gripping surface of the grab bar must be 33 inches (840 mm) minimum and 36 inches (915 mm) maximum above the finished floor.

Dispensers shall not be of a type that controls delivery or that does not allow continuous paper flow.

For customers that operate in the State of California:

California requirements state that the toilet tissue dispenser shall be installed in the following manner:

- Within 12 inches of the front edge of the toilet seat.
- A minimum height of 19 inches.
- A maximum of 36 inches from the rear wall to the far edge of the dispenser.
- Below the grab bar.

Please note, to comply with both the federal AND California systems, the dispenser should be:

- Installed between 7 and 9 inches from the front of the toilet seat to the centerline of the dispenser.
- At a height of at least 19 inches or greater.
- Below the grab bar.
- Be of continuous flow.



SCA ADA compliant dispensers

Bath tissue

The following products are capable of being installed in a manner that would render them ADA compliant, provided that the ADA installation requirements are met.



554020A

554028A

Tork Elevation Jumbo Bath Tissue Roll Dispenser

A perfect choice for high-traffic washrooms as well as environments where efficiency and reduced cost are priorities. A new stub roll feature provides extra high capacity. Goes longer between refills and reduces maintenance costs.

Dispenser Size (H x W x D): 14.2" x 17.2" x 5.2" (36.07 x 43.69 x 13.21 cm)



555020A

555028A

Tork Elevation Mini Jumbo Bath Tissue Roll Dispenser

A perfect choice for high-traffic washrooms as well as environments where efficiency and reduced cost are priorities. Roll is protected creating less waste, improved hygiene and reduced pilferage. A new stub roll feature provides extra high capacity.

Dispenser Size (H x W x D): 10.8" x 13.6" x 5.2" (27.43 x 34.54 x 13.21 cm)



5555200

5555290

Tork Elevation Twin Mini Jumbo Bath Tissue Roll Dispenser

Featuring two high-capacity rolls and a roll brake, which exposes a second roll of bath tissue only after roll one has been depleted. That means less waste, less mess, and less effort. The dispensers simplify and complement any environment, providing a clean, hygienic appearance.

Dispenser Size (H x W x D): 10.125" x 17.0" x 5.6875" (25.72 x 43.18 x 14.45 cm)



555620

555628

Tork Elevation High-Capacity Bath Tissue Roll Dispenser

The innovative auto-transfer feature promotes hygiene and reduces refill maintenance time. Promotes hygiene with covered rolls. Prevents waste by dropping the reserve roll only after the primary roll is depleted and perfect for washrooms with limited space.

Dispenser Size (H x W x D): 14.2" x 6.3" x 6.46" (36.07 X 16.0 x 16.41 cm)



473000

473008

Tork Coreless High Capacity Bath Tissue Dispenser

Tork Coreless Bath Tissue dispensers are a perfect fit for washrooms with limited space. The T7 system ensures easy and intuitive maintenance, refilling and use – a great choice for higher traffic washrooms as well as environments where efficiency and reduced cost are priorities. Rolls are protected so there is less waste and improved hygiene.

Dispenser Size (H x W x D): 13" x 9" x 6" (33.02 X 22.86 x 15.24 cm)

To ensure optimal dispenser performance, please follow ADA guidelines and recommended dispenser height placement detailed in dispenser manual.



465500

Tork Image Design Mini Jumbo Bath Tissue Roll Dispenser

Tork Image Design Mini Jumbo Bath Tissue Roll Dispenser with Reserve system features a gently brushed stainless steel with fine lines, and subtle curves provide clean lines and smooth surfaces. Roll break prevents paper over spin. Stub roll feature allows for full roll consumption. Large capacity rolls allow service for high-traffic areas without adding extra dispensers. Roll is covered to minimize cross contamination.

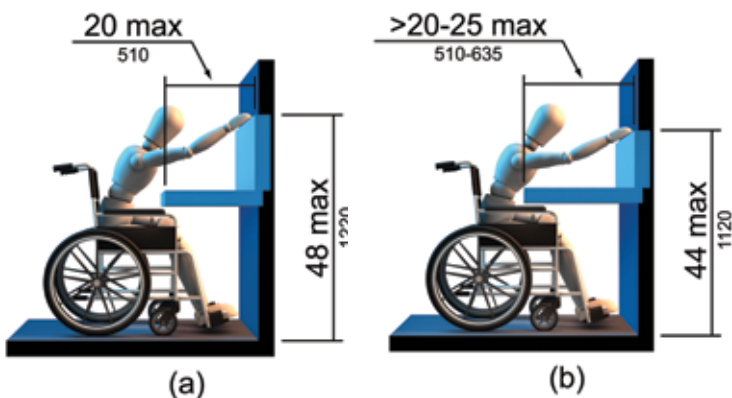
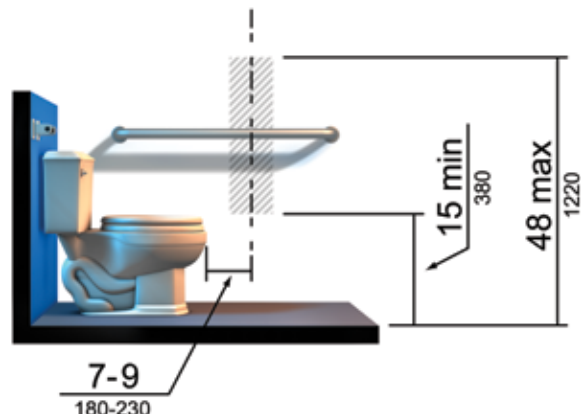
Dispenser Size (H x W x D): 9.875" x 14" x 5.125" (25.08 x 35.56 x 13.02 cm)

ADA requirements for toilet seat covers

1

Toilet seat cover install location

Like the bath tissue dispenser, the toilet seat dispenser should be mounted between 15 and 48 inches (from the operational part of the dispenser) above the finish floor and clear of the grab bar. If this dispenser is installed above the grab bar, then the top of the grab bar must be between 33 and 36 inches from the finished floor. The top point, or the control, for pulling the seat cover, is the point that should be measured as no higher than 48 inches from the finished floor.



2

Toilet seat cover accessibility

The seat cover should be accessible for wheelchair use, thus should not be posted behind the toilet or on the wall beside the toilet sufficiently far back that the reach is beyond the forward reach restrictions described above. Thus, the best location is beside the toilet, such that the control, or the centerline of the point at which the seat cover is pulled out, is between 7 and 9 inches in front of the front point of the toilet.

SCA ADA compliant dispensers

Toilet seat covers



Tork Toilet Seat Cover Dispenser

This Tork dispenser keeps toilet seat cover neat and sanitary for users and projects a clean image.

Dispenser Size (H x W x D): 12.40" x 16.65" x 2.28" (31.50 x 42.29 x 5.79 cm)
(344080 and 344088)

Dispenser Size (H x W x D): 11.5" x 16" x 3" (29.21 x 40.64 x 7.62 cm)
(99A)

ADA requirements for accessories

1

Protrusion from the wall

All protrusions must not exceed four inches if in a walkway, passageway, corridor or aisle.

2

Maximum reach with obstruction

The product may be installed such that the dispenser and the receptacle opening are no higher than 48 inches from the finished floor. In California, both the dispenser and the receptacle opening should not exceed 40 inches above the finished floor.

SCA ADA compliant dispensers

Accessories



309051

Recessed Unit with Bin for all Tork Elevation Matic Dispensers

The Tork Frame and Bin when combined with a Tork Roll Towel dispenser and its corresponding filler panel will make remodeling your bathroom much easier. This 2-in-1 solution will provide you all the great benefits of Tork's roll towel dispensers, plus it includes a semi-recessed waste bin. This product should be recessed into its wall so as to be flush with the wall or not protrude from the wall by more than four inches.

Accessory Size (H x W x D): 56" x 17.125" x 9" (142.24 x 43.50 x 22.86 cm)

ADA requirements for free standing objects

1

Free standing object overhang

Freestanding objects, such as posts, may not have an overhang in their design that exceeds 12 inches if the overhang is at a height somewhere between 27 and 80 inches from the finished floor.

SCA ADA compliant dispensers

Free standing objects

The following product is capable of being installed in a manner that would render it ADA compliant, provided that the ADA installation requirements above are met.

Tork Foam Skincare Automatic Dispenser Stand

Use with Tork Automatic Foam Skincare Dispensers 571600 and 571608.

Stand Size: 15 inch square base; height of stand including mounting plate is 58 inches.



570038

