

# REPAIR PARTS LIST

## SANITAIRE

COMMERCIAL UPRIGHT



Where Unsung Heroes Make It Happen™

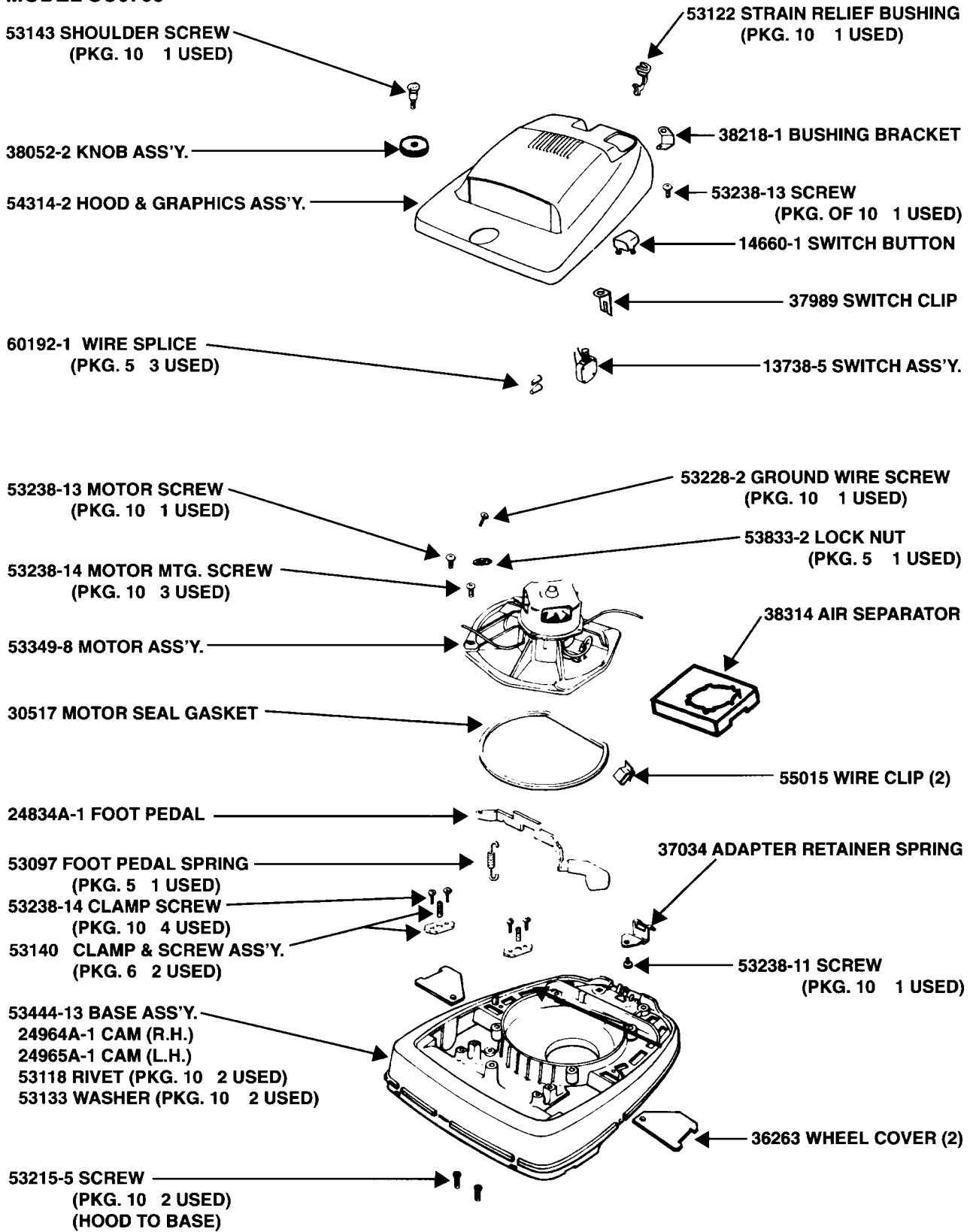
800.647.2737

[NationalEW.com](http://NationalEW.com)

Wholesale Parts Pricing

# MODEL SC679J

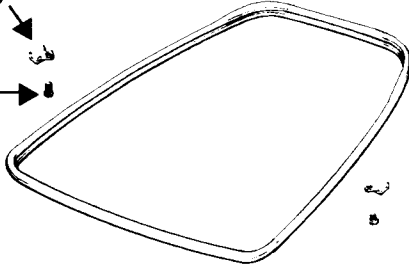
**MODEL SC679J**



**MODEL SC679J**

**53144 FURNITURE GUARD CLIP  
(PKG. 6 2 USED)**

**53238-6 CLIP SCREW  
(PKG. 10 2 USED)**



**36999-4 FURNITURE GUARD**

**47562 REAR AXLE**

**35858-2 REAR WHEEL  
(2 USED)**

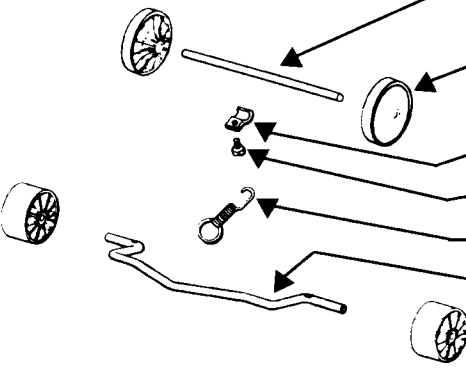
**53111 AXLE CLIP  
(PKG. 5 1 USED)**

**53238-11 CLIP SCREW  
(PKG. 10 1 USED)**

**53076-2 AXLE SPRING  
(PKG. 6 1 USED)**

**35947A FRONT AXLE**

**35859A-1 FRONT WHEEL  
(2 USED)**

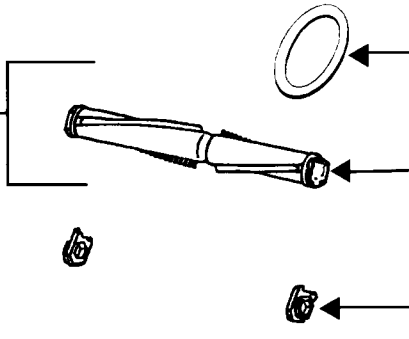


**54104-1  
DISTURBULATOR  
REPLACEMENT KIT  
(INCLUDES°)**

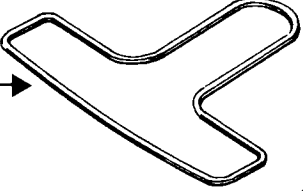
**30563A BELT**

**38138 CAP & BEARING°  
(2 USED)**

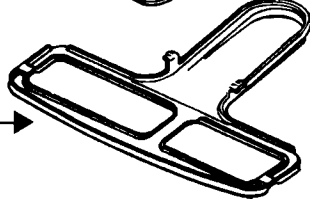
**26059A DISTURBULATOR CAP°  
(2 USED)**



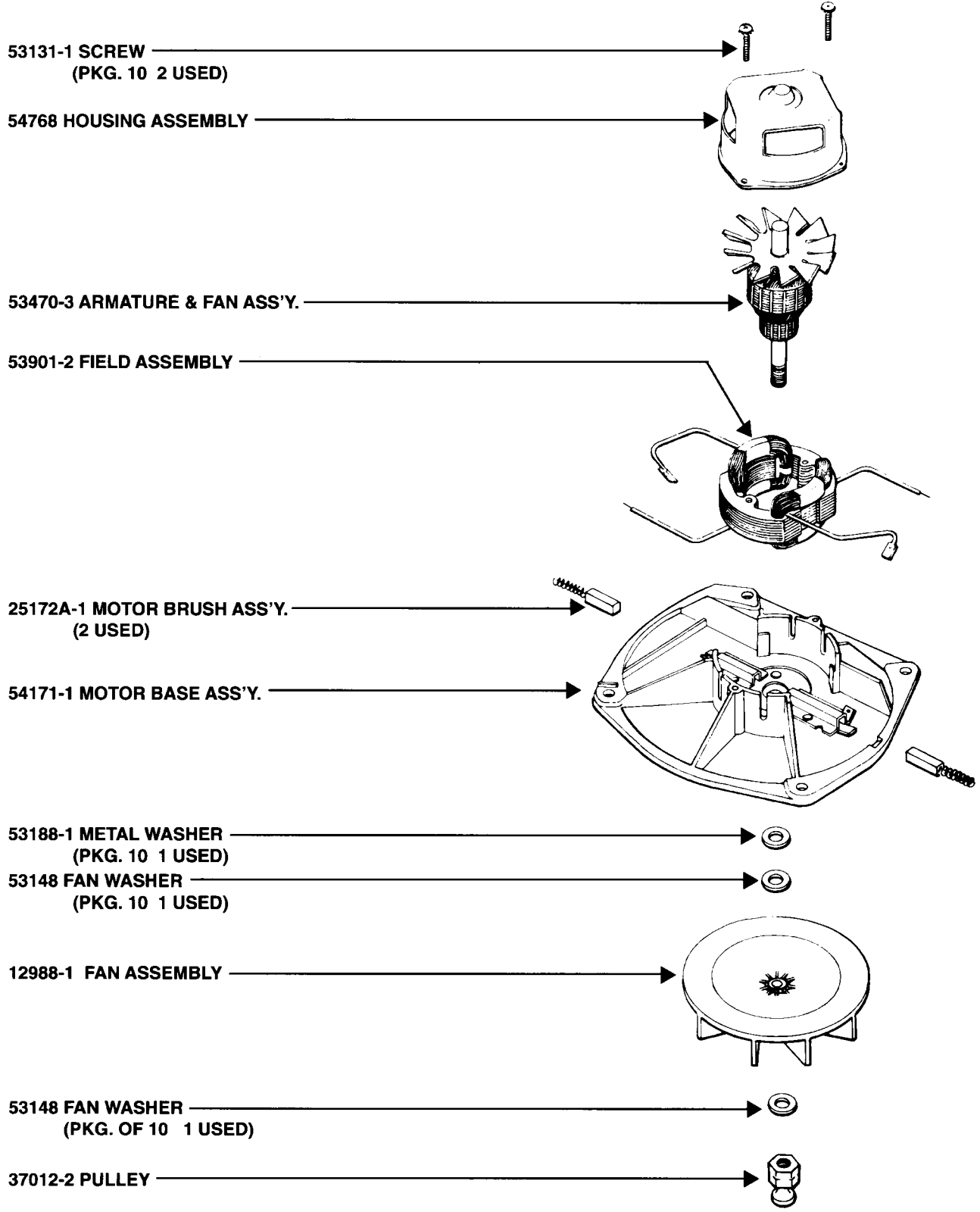
**46538 GASKET°**



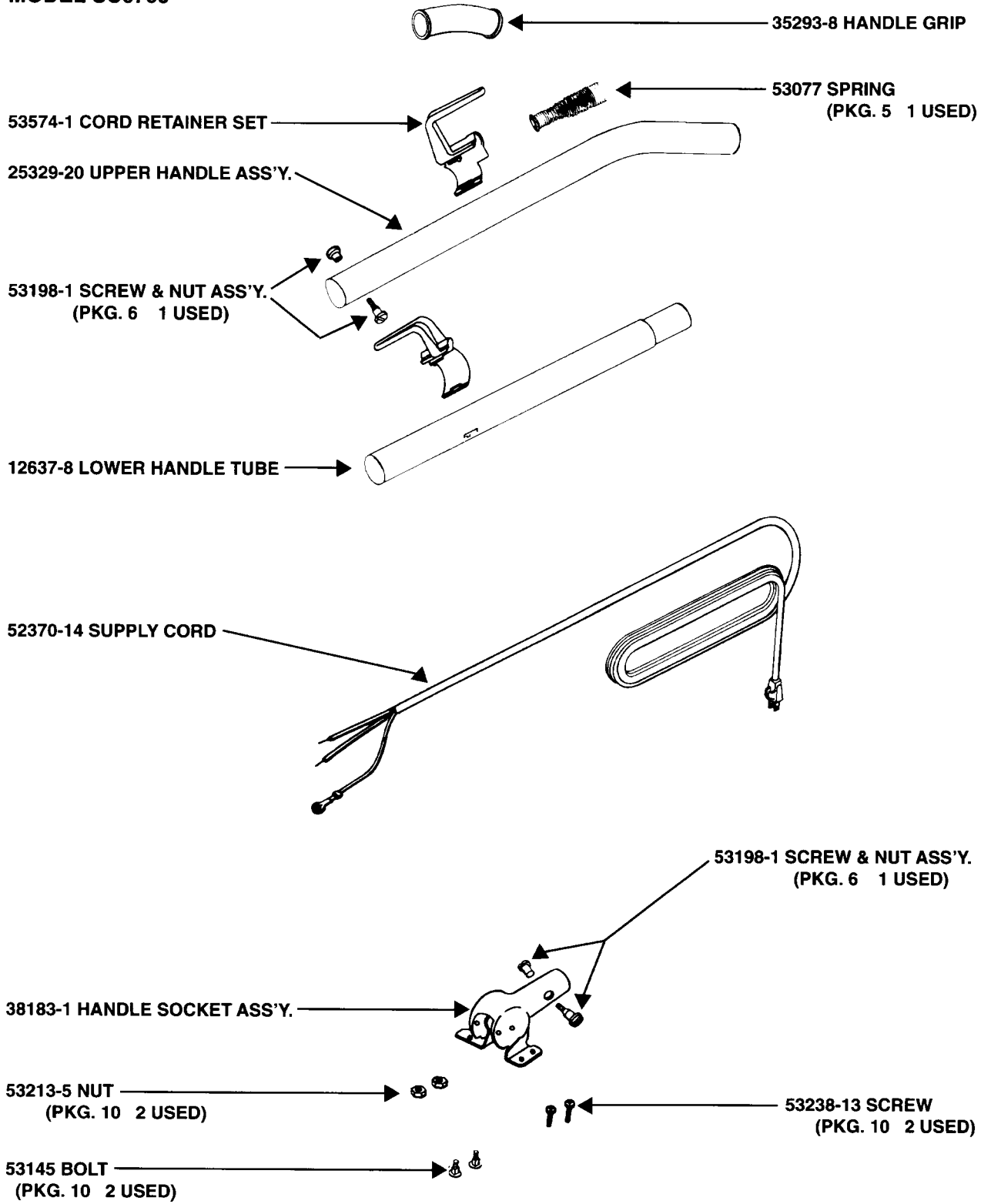
**25922-1 BOTTOM PLATE ASS'Y.  
(INCLUDES°)**



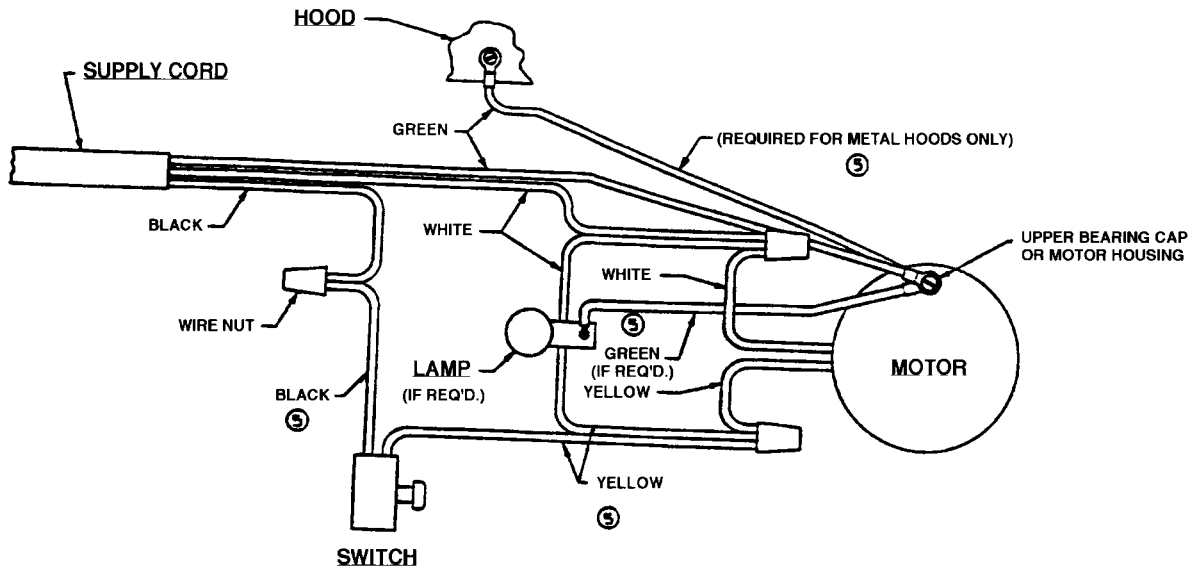
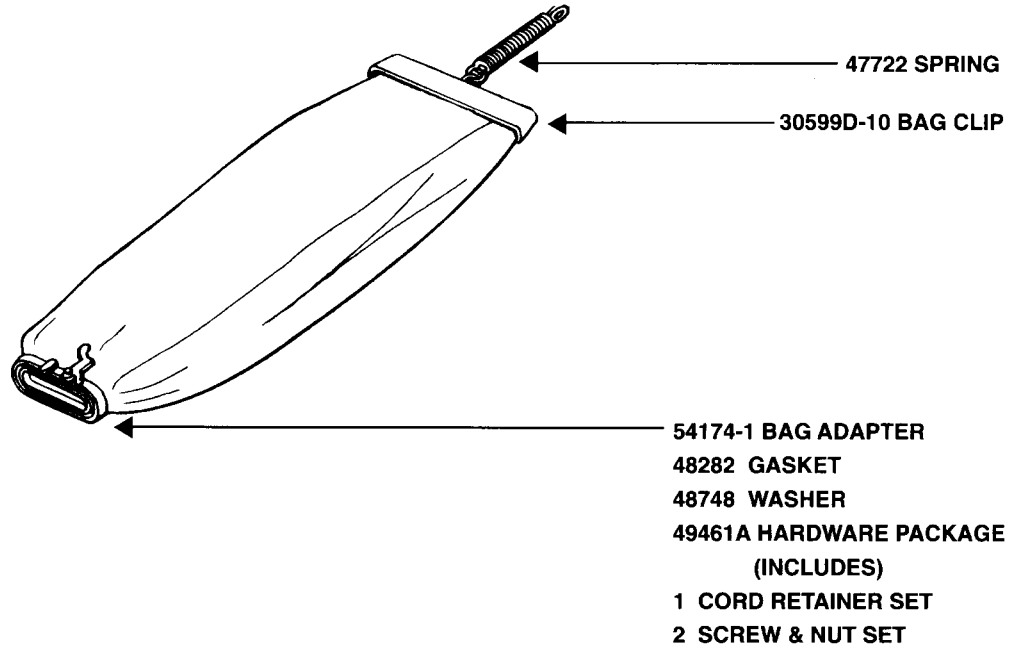
**53349-8 MOTOR ASSEMBLY**



**MODEL SC679J**



**54582-2 BAG ASSEMBLY**



**WIRING DIAGRAM 36575**