



Where Unsung Heroes Make It Happen[™]

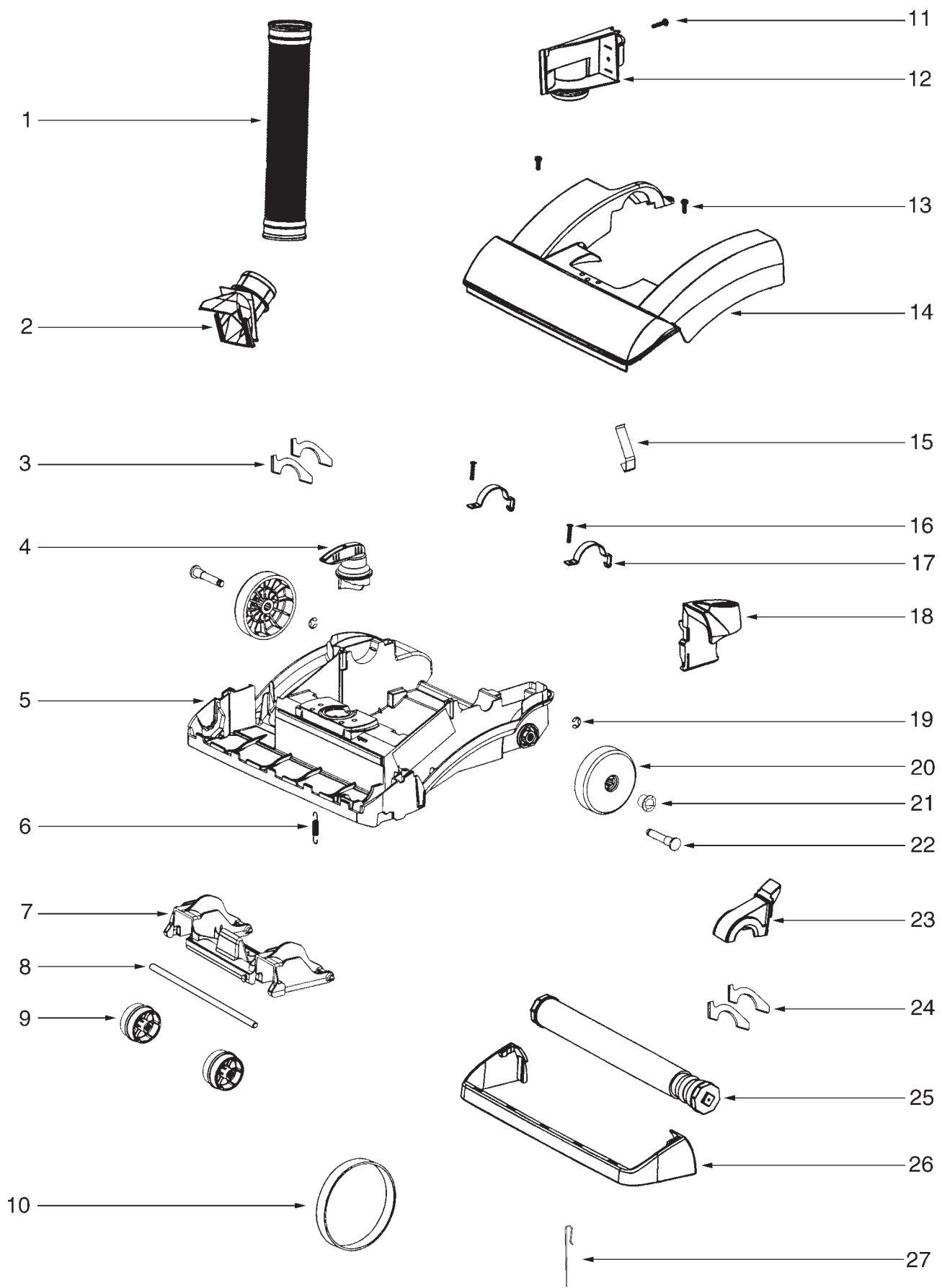
800.647.2737

NationalEW.com

Wholesale Parts Pricing

Sanitaire Commercial Upright

SC5845A

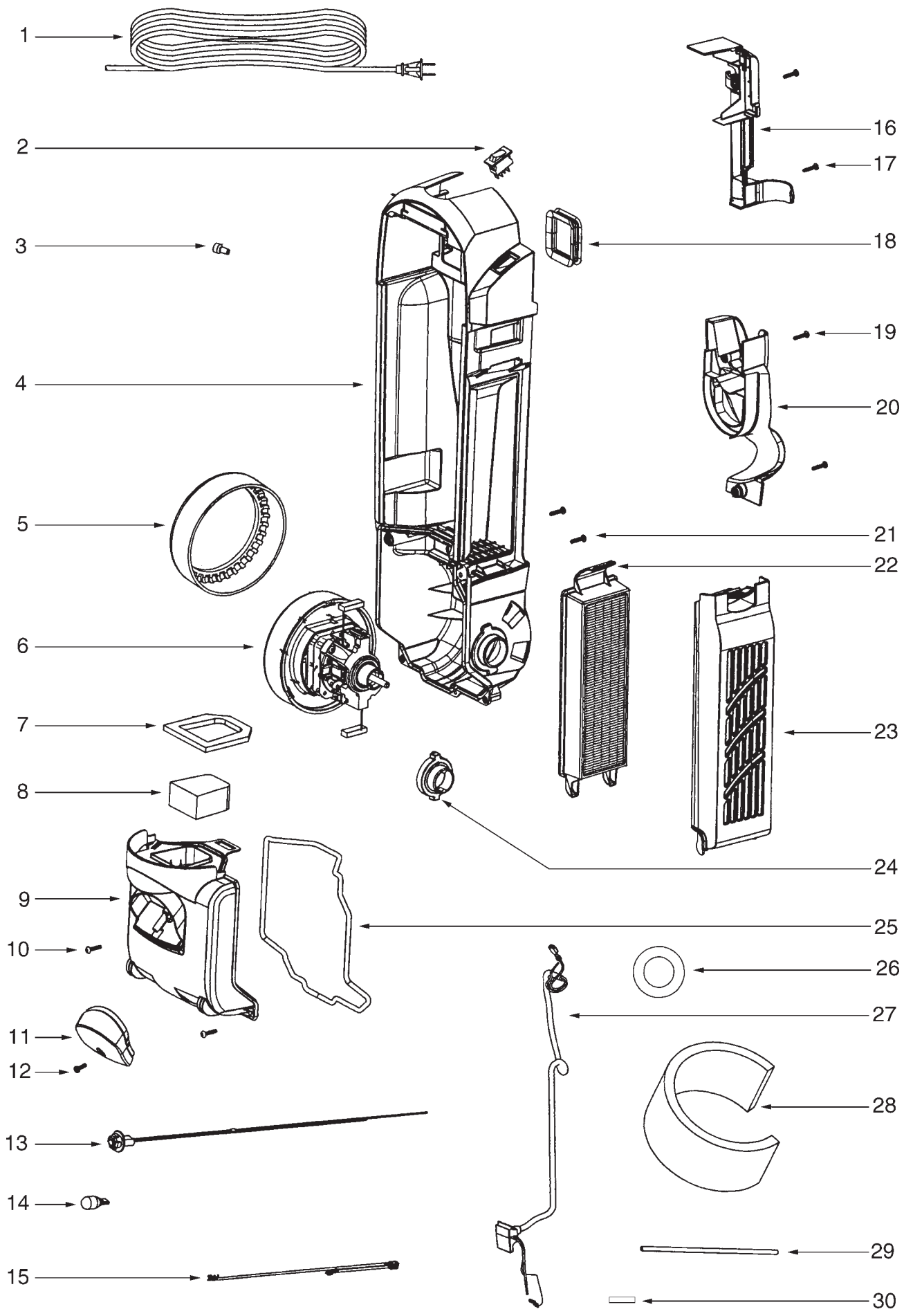


SC5845A

1.	71466	BASE HOSE
2.	71447-119N	BASE ADAPTER
3.	73153	BASE FELT GASKET
4.	71448-355N	HEIGHT ADJUSTMENT KNOB
5.	61877-10	BASE ASSEMBLY*
6.	54943	SPRING - pkg of 10
7.	71446A-119N	WHEEL CARRIAGE
8.	71478	FRONT AXLE
9.	39173A-119N	FRONT WHEEL
10.	61120A	BELT - pkg of 2
11.	53238-27	SCREW - pkg of 10
12.	71726-119N	BASE HOSE CONNECTOR
13.	53238-44	SCREW - pkg of 10
14.	61878-19	HOOD ASSEMBLY
15.	71574	HANDLE RELEASE SPRING
16.	53238-27	SCREW - pkg of 10
17.	71487	CLAMP
18.	71457-355N	HANDLE RELEASE
19.	54432-1	RETAINING RING - pkg of 10
20.	72117-119N	REAR WHEEL
21.	73432	AXLE BUSHING
22.	38590A	REAR AXLE
23.	71741A	BELT CAP**
24.	71672A	BELT CAP GASKET
25.	62228-2	BRUSHROLL
26.		FURNITURE GUARD ON HOOD ASSEMBLY ONLY.
27.	38063	BELT GUARD

* INCLUDES ITEMS 3, 4, 6, 7, 8, 9, 15, 18, 19, 20, 21, 22, 26 & 27

** INCLUDES ITEM 24

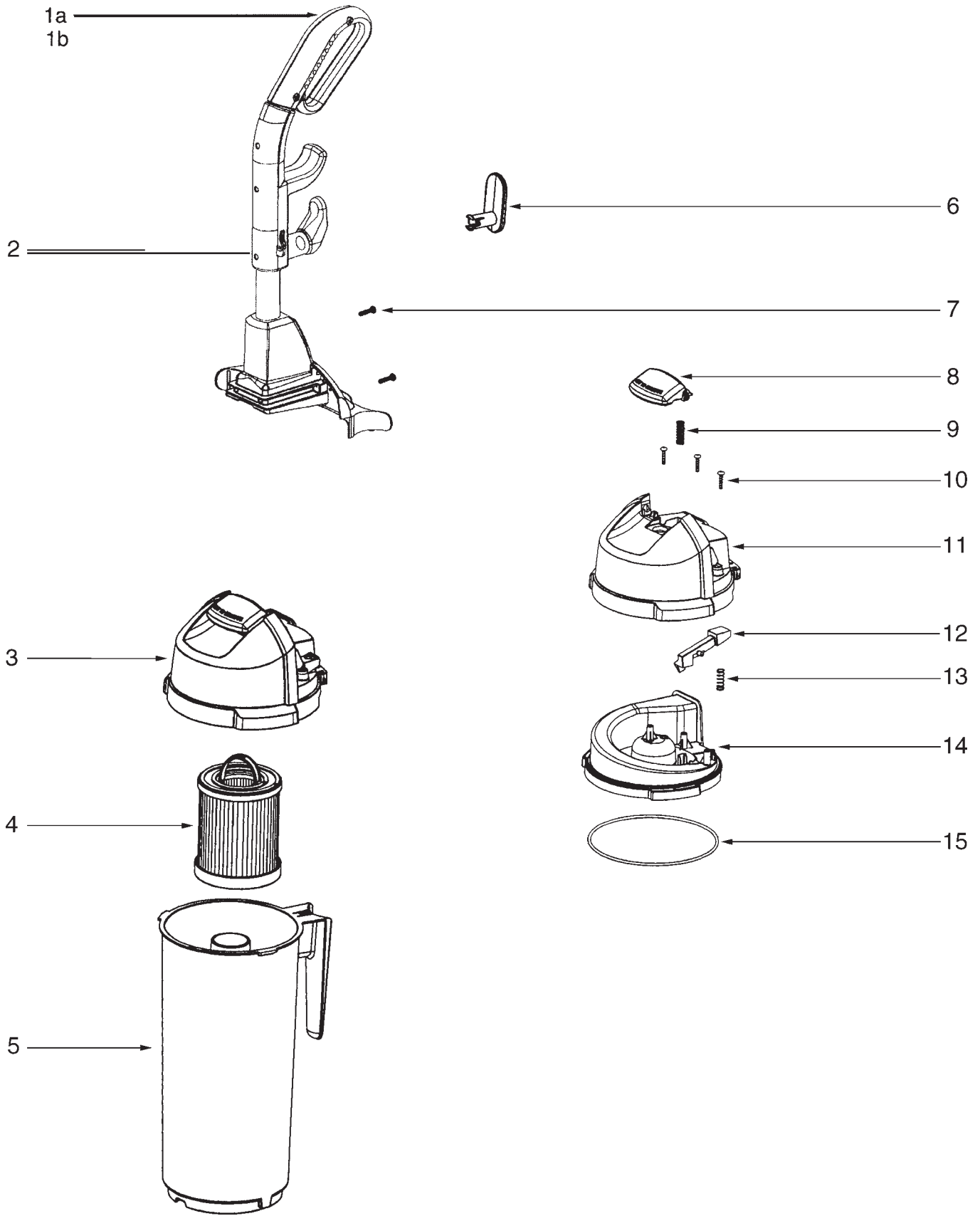


SC5845A

1.	38680-31	SUPPLY CORD
2.	28073A	SWITCH (ROCKER)
3.	60192-1	WIRE SPLICE - pkg of 5
4.	72126B-1	REAR HOUSING*
5.	71649	MOTOR GASKET
6.	60261-10	MOTOR ASSEMBLY
7.	71483	GASKET
8.	71480	PRE-MOTOR FILTER
9.	61863-14	MOTOR COVER**
10.	53238-27	SCREW - pkg of 10
11.	71460-313N	LENS
12.	53238-44	SCREW - pkg of 10
13.	70701-2	HEADLIGHT SOCKET & TERMINAL
14.	57940-3	HEADLIGHT
15.	39252-3	THERMOSTAT
16.	72127-1	SWITCH COVER
17.	53238-27	SCREW - pkg of 10
18.	71482	INTAKE GASKET
19.	53238-27	SCREW - pkg of 10
20.	71455-119N	LOWER TOOL PACK
21.	53238-27	SCREW - pkg of 10
22.	61840	HEPA FILTER - WASHABLE
23.	72006-5	FILTER COVER
24.	70084	MOTOR SUPPORT BUSHING
25.	71484	MOTOR COVER GASKET
26.	71969-1	MOTOR HUB GASKET
27.	71465	JUMPER CORD
28.	72224-1	SOUND FOAM
29.	70651-1	TUBE
30.	72167	PLUG

* INCLUDES ITEMS 18 & 25

** INCLUDES ITEMS 7 & 8

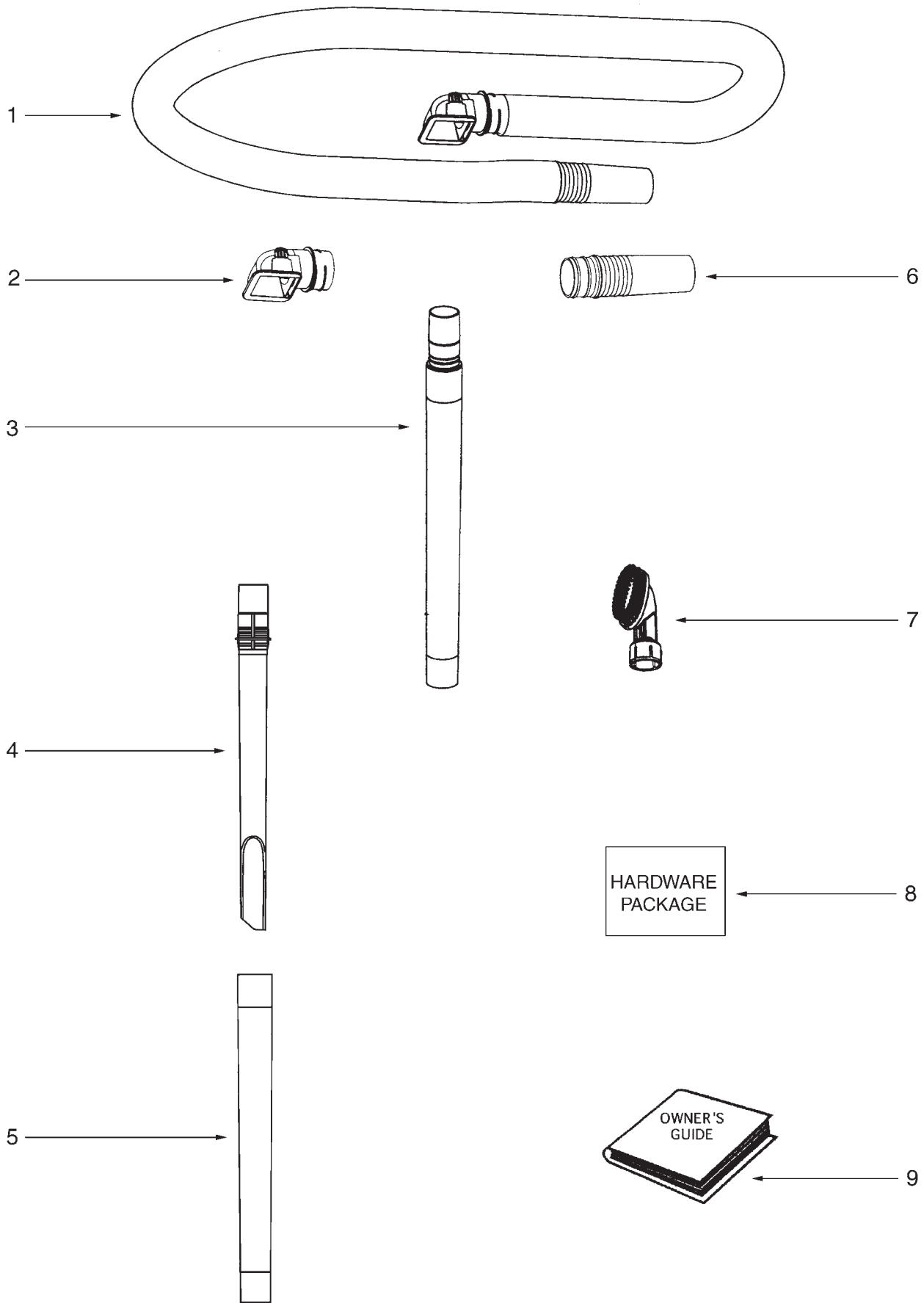


SC5845A

1a.	15596-355N	LEFT GRIP
1b.	15597-355N	RIGHT GRIP
2.	73175-1SV	HANDLE ASSEMBLY*
3.	71537-16	CYCLONE ASSEMBLY COMPLETE**
4.	61825	DUST CUP FILTER
5.	61864-1	DUST CUP ASSEMBLY
6.	28316-355N	CORD HOOK
7.	53238-44	SCREW - pkg of 10
8.	71479-355N	LATCH
9.	61866	LATCH SPRING - pkg of 5
10.	53238-27	SCREW - pkg of 10
11.		TOP COVER ON CYCLONE ASSEMBLY COMPLETE.
12.	71785-119N	CATCH
13.	61867	SPRING - pkg of 5
14.	71451-119N	CYCLONE
15.	71475	GASKET

* INCLUDES ITEMS 1 & 6

** INCLUDES ITEMS 8, 9, 10, 11, 12, 13, 14 & 15



SC5845A

- | | | |
|----|-------------|-------------------|
| 1. | 61865-4 | HOSE ASSEMBLY* |
| 2. | 71725-313N | HOSE ADAPTER |
| 3. | 71492A | NESTED WANDS** |
| 4. | 71956A-355N | CREVICE WAND |
| 5. | 71973-119N | OUTER WAND |
| 6. | 70559A-119N | HOSE COUPLING |
| 7. | 60990-2 | COMBINATION BRUSH |
| 8. | 72322 | HARDWARE PACKAGE |
| 9. | 73551 | OWNER'S GUIDE |

* INCLUDES ITEMS 2 & 6

** INCLUDES ITEMS 4 & 5

