

# Power-Flite®

COMMERCIAL FLOOR CARE EQUIPMENT

## Operator's Manual



**Commercial  
Axial Fan**

Standard F5 Models  
**PDF5, PDF5DX**



Where Unsung Heroes Make It Happen™

800.647.2737

[NationalEW.com](http://NationalEW.com)

Wholesale Parts Pricing

### POWR-FLITE LIMITED WARRANTY

Powr-Flite will repair or exchange parts for your dryer in the event of a manufacturing defect as follows:

**PARTS:** New or comparable rebuilt parts, for one year after original purchase.

**LABOR:** Carry-in service can be obtained during the warranty period by taking your dryer to an Authorized Powr-Flite Warranty Service Center.

**IMPORTANT WARRANTY CONDITIONS:** A purchase receipt or other proof of date of original consumer purchase also will be required before warranty service is rendered.

This warranty covers normal use and does not cover damage which occurs in shipment or failure resulting from alteration, accident, misuse, abuse, neglect, or improper maintenance.

**STATEMENT:** This warranty is not transferable and extends only to the original purchaser when a new Powr-Flite dryer is purchased from an Authorized Powr-Flite Dealer. This warranty gives you specific legal rights, and you may have other rights that vary from state to state.

A Tacony Company, Fort Worth, Texas 76140-1710, Call Toll-Free (800) 880-2913

## IMPORTANT SAFETY INSTRUCTIONS

### READ ALL INSTRUCTIONS BEFORE USING THIS APPLIANCE

When using an electrical appliance, basic precautions should always be followed.

**WARNING-** To reduce the risk of fire, electric shock or injury:

Use only as described in this manual. Use only manufacturer's recommended components and attachments.

Use only indoors. Do not use outdoors or expose to rain.

Do not use with damaged cord or plug. If appliance is not working as it should, has been dropped, damaged, left outdoors, or dropped into water, return it to your Authorized Powr-Flite dealer.

Do not pull or carry by cord, use cord as a handle, close door on cord, or pull cord around sharp edges or corners. Keep cord away from heated surfaces.

Do not unplug by pulling on cord. To unplug, grasp the plug, not the cord.

Do not handle plug or appliance with wet hands.

Do not put any object into openings. Do not use with any opening blocked; keep free of dust, hair and anything that may reduce air flow.

Turn off all controls before unplugging.

Do not attempt to service the unit while appliance is plugged in.

Appliance may cause a fire when operating near flammable vapors or materials. Do not operate this machine near flammable fluids, dust or vapors.

Connect to a properly grounded outlet.

Do not use with any solid state speed control device.

This unit is thermally protected.



### WARNING

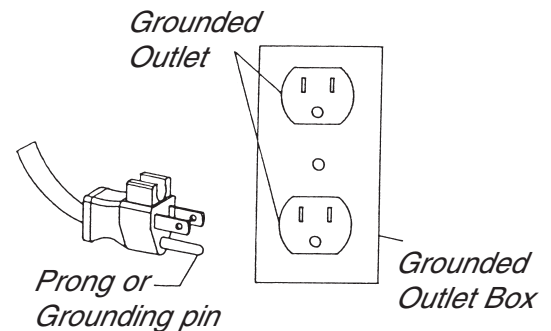
Do not stack dryers more than 4 (four) units high for transport, 5 (five) units high for storage.

## GROUNDING INSTRUCTIONS

This appliance must be grounded. If it should malfunction or break down, grounding provides a path of least resistance for electric current to reduce the risk of electric shock. This appliance is equipped with a cord having an equipment-grounding conductor and grounding plug. The plug must be plugged into an appropriate outlet that is properly installed and grounded in accordance with all local codes and ordinances.

This appliance is for use on a nominal 120 volt circuit and has a ground plug (see illustration, right). Make sure that the appliance is connected to an outlet having the same configuration as the plug. No adaptor should be used with this appliance.

**WARNING** - Improper connection of the equipment-grounding conductor can result in a risk of electric shock. Check with a qualified electrician or service person if you are in doubt as to whether the outlet is properly grounded. Do not modify the plug provided with the appliance – if it will not fit the outlet, have a proper outlet installed by a qualified electrician.



## FOR BEST PERFORMANCE

- Keep machine clean and in good operating condition.
- Have machine checked periodically by your Authorized Powr-Flite Dealer.
- Use only authorized service centers for parts or service.
- Store machine carefully in dry area.
- For optimum drying performance and safety, study and follow your operators manual.

## SAVE THESE INSTRUCTIONS

## OPERATING INSTRUCTIONS

1. Plug in to a standard outlet with the correct voltage and amperage for the unit.
2. Place the dryer in the desired operating position.
3. Set the switch at the desired speed: low or high.
4. Check for proper operation before leaving the unit unattended.  
Do not move or carry the dryer when it is running.

**Daisy-chained:** Up to 6 units may be plugged into on a single 15 amp circuit and up to 9 on a 20 amp circuit. The F5 is equipped with dual power outlets that will allow you to “daisy chain” up to 5 units. Do not “daisy chain” more than 5 units. The F5 power system has a 12 amp circuit breaker built in that will trip if more than 5 units are “daisy chained” from a single machine.

### 12 AMP Resettable Circuit Breaker

The F5 Powr-Dryer features a 12 amp circuit breaker that will “trip” if more than 12 amps of electrical current is drawn through the cord.

### GFCI Protection and Outlet

The F5 Powr-Dryer provides a standard duplex GFCI outlet for daisy-chaining multiple units together. The GFCI protection promotes operator safety and will “trip” if an electrical ground fault is sensed. To test the GFCI protection, press the TEST button. If operating properly, the RESET button on the GFCI outlet will pop out.

### Operating Positions

The F5 Powr-Dryer is designed to operate in multiple positions for any type of drying.

1. **Tilt Back** – Tilt the F5 backward on the four curved molded legs at an angle to direct air for elevated drying.
2. **Upright** – Set the F5 square with the handle on the top to direct air across a room.
3. **Tilt Forward** – Tilt the F5 forward on the “standing legs at an angle to direct airflow along the flow in front of the dryer.
4. **Face Down** – Set the F5 on the four curved molded legs with the “standing legs” facing up to direct air straight down.
5. **Powr Pitch** – Model PDF5 is equipped with a 3° down angle leg.
6. **Stack for Storage** – the F5 Powr-Dryer interlock and stack for easy storage and transport.



2 position switch and daisy-chained outlets



Cord wrap



## MAINTENANCE/TROUBLE SHOOTING

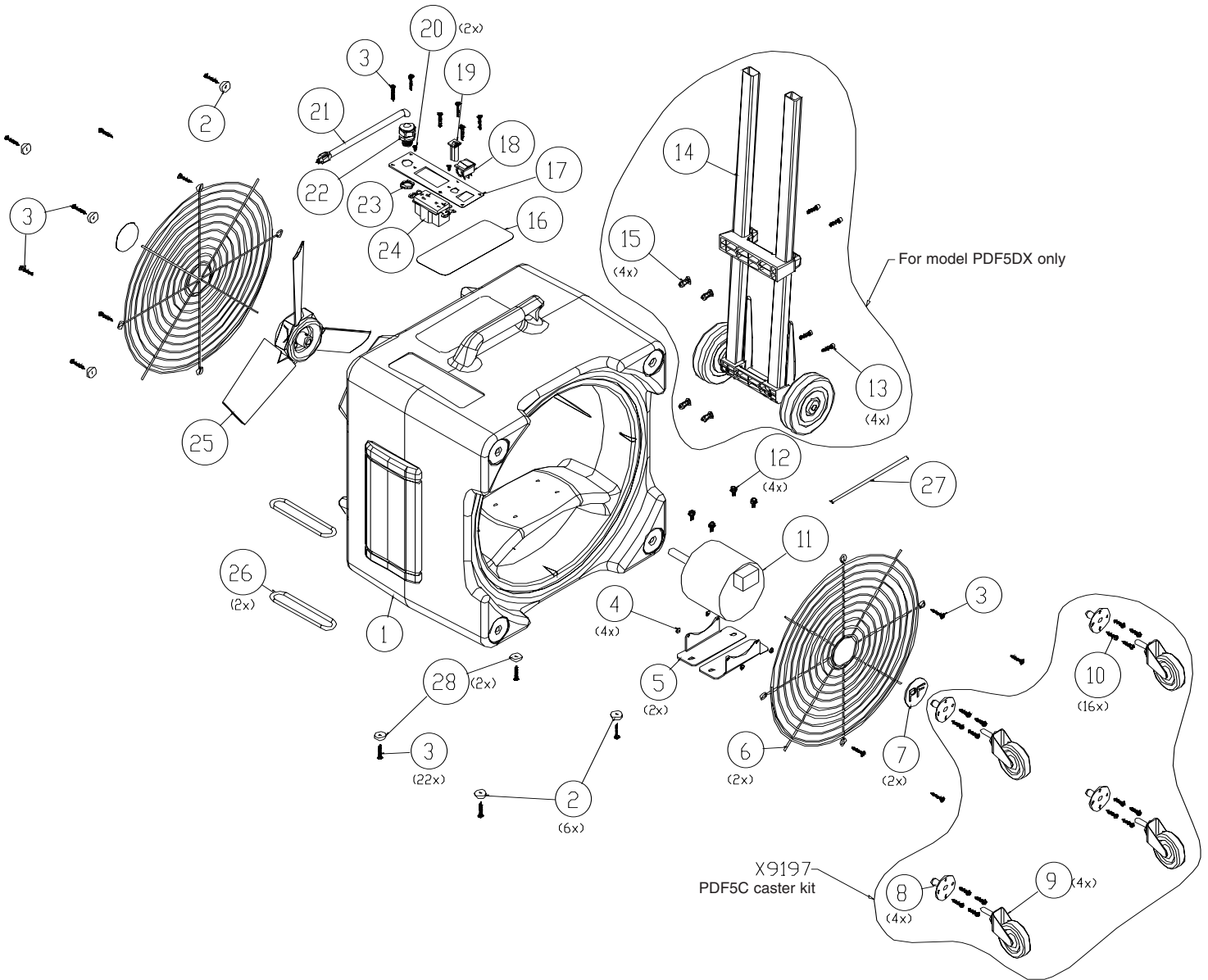
### Periodic Maintenance

1. Check power cord for any breaks, separations or cuts.
2. Make sure the ground pin or grounding prong is intact or the machine will be unsafe to operate.

### Trouble Shooting (if the dryer will not run)

1. Check electrical cord; is it firmly seated in wall outlet
2. Check GFCI and reset if tripped
3. Check if dryer circuit breaker is tripped, reset if necessary.
4. Check to see if building circuit breaker is tripped. If circuit is overloaded, move cord to different GFCI outlet.
5. If using an extension cord, make sure it is in good condition, proper gauge and firmly connected.

# ASSEMBLY



## Parts for PDF5, PDF5C, PDF5DX

ref#	part #	description
01	X9180	Housing, Axial Fan
02	PD3C	Foot, Black Rubber, Short
03	X9098	Screw, #10 x 1", A point, Pan Head
04	X8260	Nut, 8-32 Lock, w/ Nylon Inserts
05	72719A	Bracket, Axial Fan Motor
06	X9183	Grill Axial Fan
07	X9189	Label, Round (at grill)
08	X9195	Caster Receiver
09	P50	Wheel and Socket
10	72020A	Screw, Self-Tap, PHMS, Zinc, #12 x 1"
11	X9181	Motor, 115 VAC, .25 HP, 4-Pole
12	X8209	Screw, 1/4-20 x 1/2", Self Locking Flange
13	X9065	Screw, Hex Socket Cap, 1/4-20 x 1"
14	X8990N	Handle / Wheel Assembly, Narrow

ref#	part #	description
15	X8848	Jacknut, 1/4-20, Steel, #8LJN
16	X9190	Label, Product
17	72721A	Switch Panel
18	X9048	Rocker Switch
19	X918	Circuit Breaker, 12A
20	X9188	Screw, 6-32 x 3/8", Black MS
21	X8926	20' HD, 3-wire cord, 16/3 SJTW, 115 volts
22	PD8	Strain Relief, 1/2" NPT
23	X8008N	Nut, Lock, 1/2" Steel Conduit
24	X9187	GFCI outlet, Female Plug
25	X9182	Fan Blade Assembly
26	F631	Round Belt
27	72470A	Heat Shrink, Blk, 1/2" x 200'
28	PD3B	Foot, Black Rubber, Tall

Use PD3C for units with handle / wheel assembly (PDF5DX)