



WindTunnelTM Professional³

3



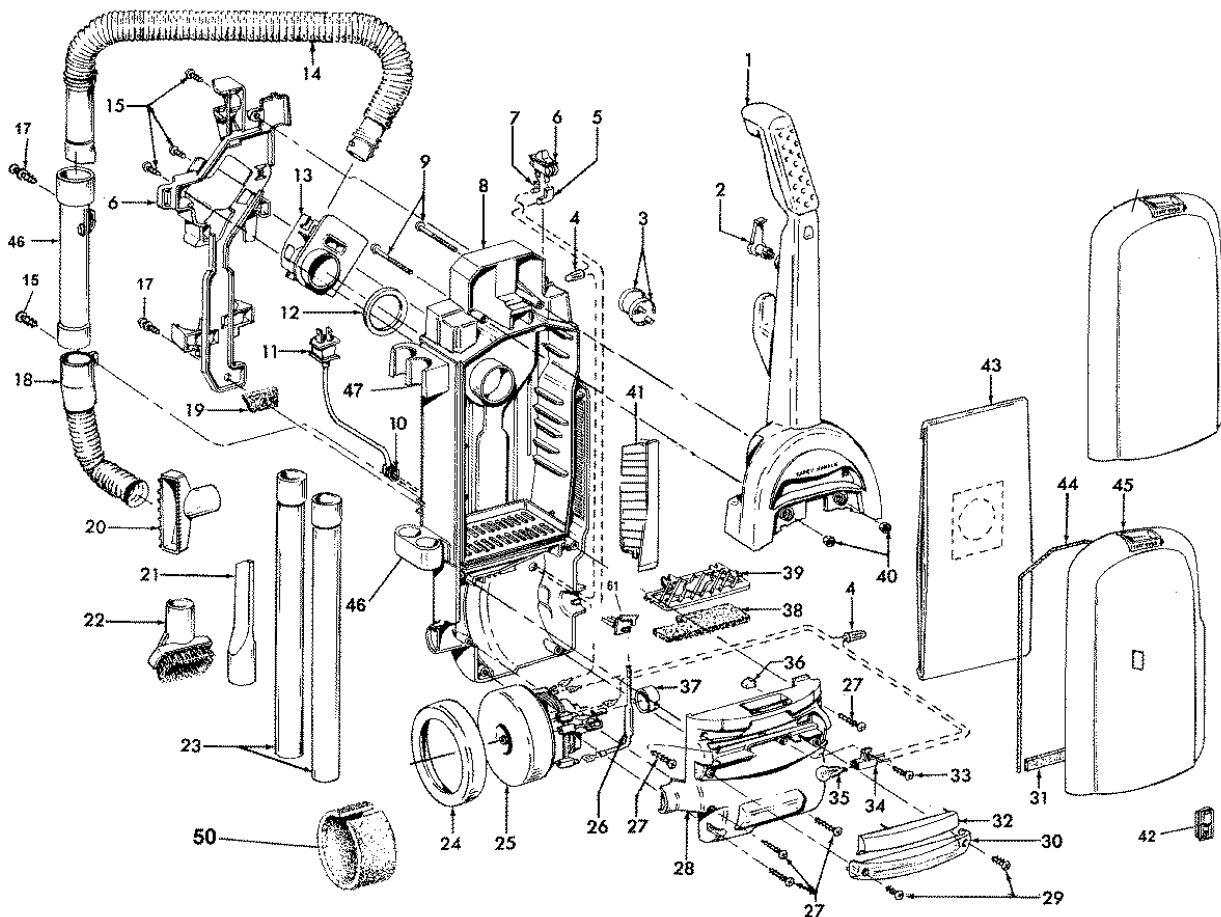
Where Unsung Heroes Make It HappenTM

800.647.2737

NationalEW.com

Wholesale Parts Pricing

ASSEMBLY SCHEMATIC



MODEL NO.

C1703-900

C1705-900

C1712

FOR VACUUM CLEANER PARTS PLEASE CALL 608-836-7771



WindTunnelTM

Professional³

3

PART LISTING / PRICE LIST

MODEL No.

C1703-900
C1705-900
C1712

ITEM	PART NUMBER	MODELS TO FIT	PART DESCRIPTION	LIST COST
1	48663207	C1703-900, C1705-900, C1712	UPPER HANDLE ASSEMBLY	15.11
2	39442043	C1703-900, C1705-900, C1712	CORD WRAP	1.93
3	27479307	C1703-900, C1705-900, C1712	CABLE TIE	.22
4	27618508	C1703-900, C1705-900, C1712	WIRE CONNECTOR	1.07
5		C1703-900, C1705-900, C1712	TERMINAL	-
6	28161063	C1703-900, C1705-900, C1712	SWITCH - 3/16" TERMINAL	1.87
	28161067	C1703-900, C1705-900, C1712	SWITCH - 1/4" TERMINAL	1.35
7		C1703-900, C1705-900, C1712	TERMINAL	-
8	40309039	C1703-900, C1705-900, C1712	BACK PANEL / BAG HOUSING	43.19
9	40201149	C1703-900, C1705-900, C1712	HANDLE HARDWARE ASSEMBLY	2.15
10	27482231	C1703-900, C1705-900, C1712	STRAIN RELIEF	1.07
11	46583046	C1703-900	POWER CORD - 35' 3/16 TERMINAL	21.59
	46583047	C1705-900	POWER CORD - 50' 3/16 TERMINAL	29.15
	46583051	C1703-900	POWER CORD - 35' 1/4 TERMINAL	13.66
	46583052	C1705-900	POWER CORD - 50' 1/4 TERMINAL	29.69
	46583067	C1712	POWER CORD - 50'	32.39
12	31178017	C1703-900, C1705-900, C1712	HOSE CONNECTOR GASKET	1.07
13	38641005	C1703-900, C1705-900, C1712	DIRT DUCT	2.47
14	43434031	C1703-900, C1705-900, C1712	HOSE ASSEMBLY COMPLETE	18.89
15	21447242	C1703-900, C1705-900, C1712	SCREW - SELF TAPPING	1.07
16	92001070	C1703-900, C1705-900, C1712	TOOL / HOSE HOLDER	3.77
17	23149002	C1703-900, C1705-900, C1712	SCREW - SELF TAPPING	.54
18	43431005	C1703-900, C1705-900, C1712	HOSE DOOR ASSEMBLY	8.63
19	34311004	C1703-900, C1705-900, C1712	WIRE OPENING SEAL	1.07
20	38614044	C1703-900, C1705-900, C1712	FURNITURE NOZZLE	5.39
21	38617027	C1703-900, C1705-900, C1712	CREVICE TOOL	1.79
22	43414197	C1703-900, C1705-900, C1712	DUSTING BRUSH - BLACK	2.55
23	38634078	C1703-900, C1705-900, C1712	EXTENSION TUBE	6.47
24	36322037	C1703-900, C1705-900, C1712	MOTOR MOUNT - LARGE	4.31
25	43576180	C1703-900, C1705-900	MOTOR ASSEMBLY	75.59
	43576225	C1712	MOTOR ASSEMBLY	75.59
	41311017	C1703-900, C1705-900, C1712	MOTOR BRUSH	4.63
	43566016	C1712	FAN	3.77
26	28382086	C1703-900, C1705-900, C1712	THERMAL PROTECTOR	7.12
	47534027	C1703-900, C1705-900	THERMAL PROTECTOR - SUBSTITUTION	5.48
27	21447230	C1703-900, C1705-900, C1712	SCREW - SELF TAPPING	1.07

FOR VACUUM CLEANER PARTS PLEASE CALL 608-836-7771



WindTunnelTM Professional³

3

PART LISTING / PRICE LIST

ITEM	PART NUMBER	MODELS TO FIT	PART DESCRIPTION	LIST COST
28	37196009	C1703-900, C1705-900, C1712	MOTOR COVER	8.63
29	21447228	C1703-900, C1705-900, C1712	SCREW - SELF TAPPING	.54
30	39383107	C1703-900, C1705-900, C1712	LENS	2.47
31	34123050	C1703-900, C1705-900, C1712	BAG DOOR GASKET - BOTTOM	1.07
32	37944010	C1703-900, C1705-900, C1712	COVER	1.08
33	21447072	C1703-900, C1705-900, C1712	SCREW	.54
34	47173027	C1703-900, C1705-900, C1712	WIRE HARNESS - 1/4" TERMINAL	4.31
	47173023	C1703-900, C1705-900, C1712	WIRE HARNESS - 3/16" TERMINAL	N.L.A.
35	27313101	C1703-900, C1705-900, C1712	LAMP	1.93
36	34131019	C1703-900, C1705-900, C1712	WIRE OPENING PLUG	1.07
37	36322030	C1703-900, C1705-900, C1712	MOTOR MOUNT - SMALL	1.07
38	38765019	C1703-900, C1705-900, C1712	SECONDARY FILTER	.60
39	36426034	C1703-900, C1705-900, C1712	SECONDARY FILTER RETAINER	1.39
40	21641558	C1703-900, C1705-900, C1712	HEX NUT	1.07
41	43613006	C1703-900, C1705-900, C1712	CARTRIDGE FILTER / EXHAUST CAN SUB 38766008 AND 36426060 (1 EA)	10.80
42	51151010	C1712	BAG INDICATOR	6.47
43	43667051	C1703-900, C1705-900, C1712	REUSABLE CLOTH BAG	32.39
	4010100Y	C1703-900, C1705-900, C1712	TYPE Y ALLERGEN PAPER BAG - 3 PACK	3.62
44	38781057	C1703-900, C1705-900, C1712	BAG DOOR GASKET - 34.5"	1.39
45	37254100	C1703-900	BAG DOOR - GASKETS NOT INCLUDED - ORDER 37254102	N.L.A.
	37254102	C1705-900	BAG DOOR - GASKETS / BAG INDICATOR NOT INCLUDED - ORDER NUMBER #31, #44, AND #42	25.91
	37254237	C1712	BAG DOOR - GASKETS / BAG INDICATOR NOT INCLUDED - ORDER 37254102	N.L.A.
46	43457024	C1703-900, C1705-900, C1712	HOSE DOOR ASSEMBLY	4.31
47	36433117	C1703-900, C1705-900, C1712	UPPER WAND HOLDER	2.47
48	36433116	C1703-900, C1705-900, C1712	LOWER WAND HOLDER	2.47
49	27478456	C1703-900, C1705-900, C1712	ATTACHMENT CORD CLAMP	1.07
50	39411001	C1703-900, C1705-900, C1712	FOAM MOTOR MUFFLER	2.47
51	36426039	C1703-900, C1705-900, C1712	FILTER HOLDER	2.15
	39441016	C1703-900, C1705-900, C1712	CORD CLIP EXTENSION	3.23
	21447236	C1703-900, C1705-900, C1712	CORD CLIP EXTENSION SCREW	1.07
	49811073	C1703-900, C1705-900, C1712	LEAD WIRE - RED	1.07
	90001125	C1703-900, C1705-900, C1712	CORD PROTECTOR	.54

MODEL No.

C1703-900
C1705-900
C1712

FOR VACUUM CLEANER PARTS PLEASE CALL 608-836-7771



WindTunnelTM Professional³

3

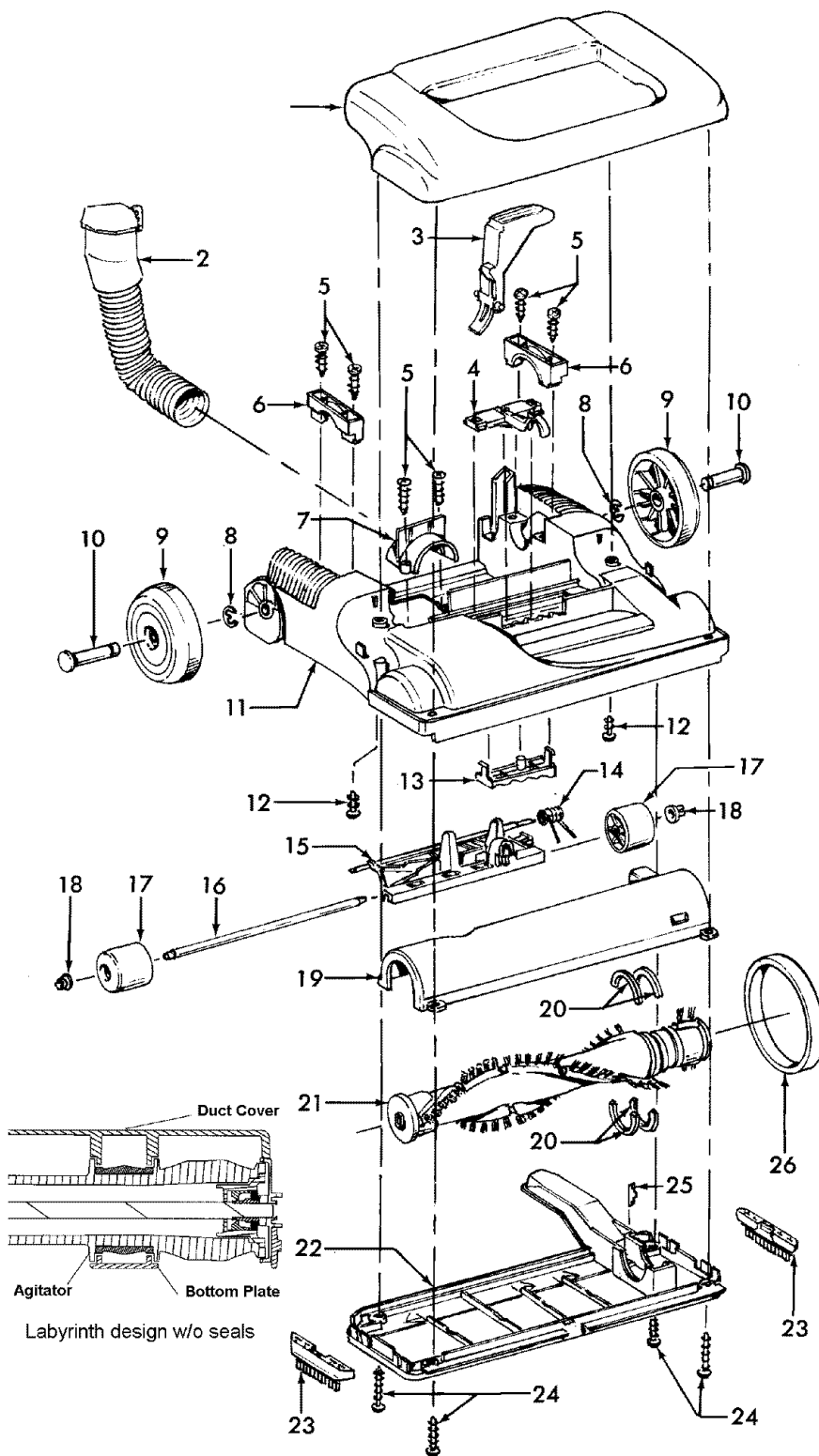
ASSEMBLY SCHEMATIC

MODEL NO.

C1703-900

C1705-900

C1712



FOR VACUUM CLEANER PARTS PLEASE CALL 608-836-7771



WindTunnelTM

Professional³

3

PART LISTING / PRICE LIST

MODEL No.

C1703-900
C1705-900
C1712

ITEM	PART NUMBER	MODELS TO FIT	PART DESCRIPTION	LIST COST
1	37253291	C1703-900	HOOD / NOZZLE COVER - 13"	21.59
	37253292	C1705-900	HOOD / NOZZLE COVER - 15"	25.91
	37253A37	C1712	HOOD / NOZZLE COVER	21.59
2	43431005	C1703-900, C1705-900, C1712	HOSE DOOR ASSEMBLY	8.63
3	38458043	C1703-900, C1705-900, C1712	HANDLE RELEASE LEVER	2.15
4	40309004	C1703-900, C1705-900, C1712	NOZZLE ADJUSTMENT LEVER / CAM KIT	3.01
5	21447072	C1703-900, C1705-900, C1712	SCREW	.54
6	36131094	C1703-900, C1705-900, C1712	TRUNNION COVER	1.07
7	36171044	C1703-900, C1705-900, C1712	HOSE CLAMP	1.07
8	160017--	C1703-900, C1705-900, C1712	LOCK RING	.27
9	43244009	C1703-900, C1705-900, C1712	REAR WHEEL	4.31
10	32434007	C1703-900, C1705-900, C1712	REAR AXLE	1.07
11	37242124	C1703-900, C1712	NOZZLE BASE - 13"	14.03
	37242135	C1705-900	NOZZLE BASE - 15"	15.11
12	21447228	C1703-900, C1705-900, C1712	SCREW - SELF TAPPING	.54
13	40309004	C1703-900, C1705-900, C1712	NOZZLE ADJUSTMENT LEVER / CAM KIT	3.01
14	38355010	C1703-900, C1705-900, C1712	TORSION SPRING	1.07
15	36432027	C1703-900, C1705-900, C1712	FRONT WHEEL SUPPORT - ONLY	2.15
16	32541003	C1703-900, C1705-900, C1712	WHEEL SHAFT - ORDER 43248064	N.L.A.
17	43248064	C1703-900, C1705-900, C1712	FRONT WHEEL SUPPORT ASSEMBLY	8.63
18	36131056	C1703-900, C1705-900, C1712	WHEEL RETAINER	.54
19	40309025	C1703-900, C1712	BOTTOM PLATE / DUCT ASSEMBLY - 13"	16.19
	40309026	C1705-900	BOTTOM PLATE / DUCT ASSEMBLY - 15"	18.35
20	38781053	C1703-900, C1705-900, C1712	AGITATOR PULLEY SEAL	.32
21	48414110	C1703-900	AGITATOR ASSEMBLY - 13"	21.59
	48414132	C1705-900	AGITATOR ASSEMBLY - 15"	21.59
	48414131	C1712	AGITATOR ASSEMBLY - 13"	19.43
22	40309025	C1703-900, C1712	BOTTOM PLATE / DUCT ASSEMBLY - 13"	16.19
	40309026	C1705-900	BOTTOM PLATE / DUCT ASSEMBLY - 15"	18.35
23	39511018	C1703-900, C1705-900	LITTER PICKER - BLACK	2.15
	39511012	C1712	LITTER PICKER	1.07
24	21447121	C1703-900, C1705-900, C1712	SCREW	.54
25	013261AY	C1703-900, C1705-900, C1712	RIB SHOE	.54
26	38528033	C1703-900, C1705-900, C1712	BELT	1.15

FOR VACUUM CLEANER PARTS PLEASE CALL 608-836-7771